

CONFIDENTIAL

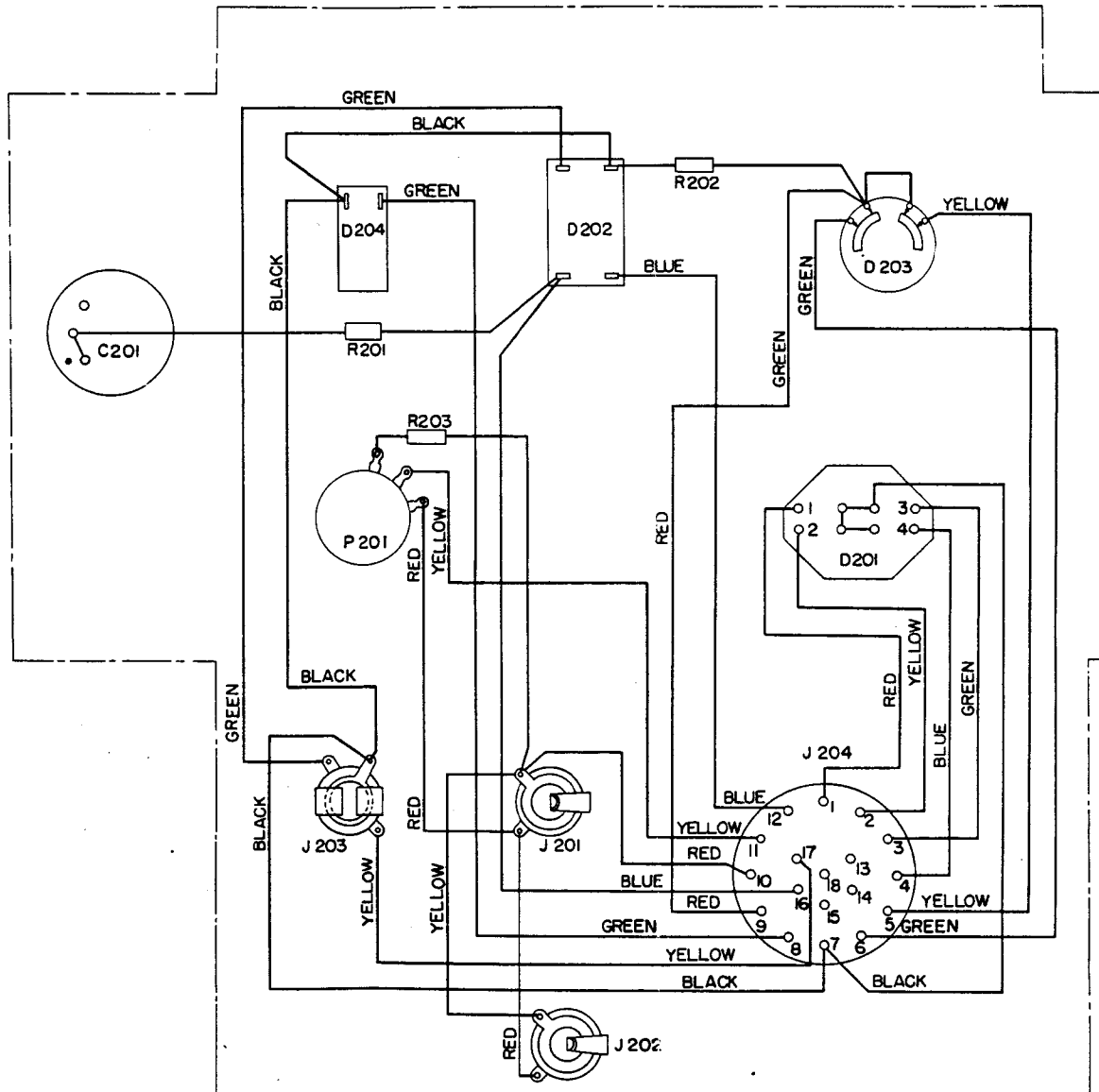
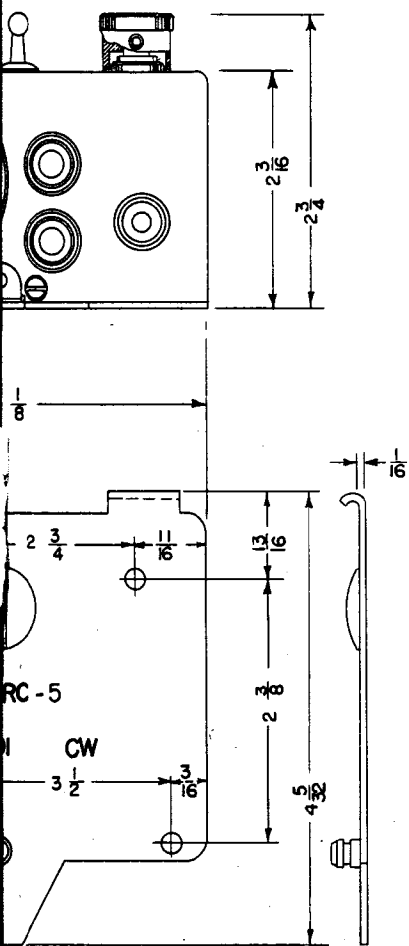
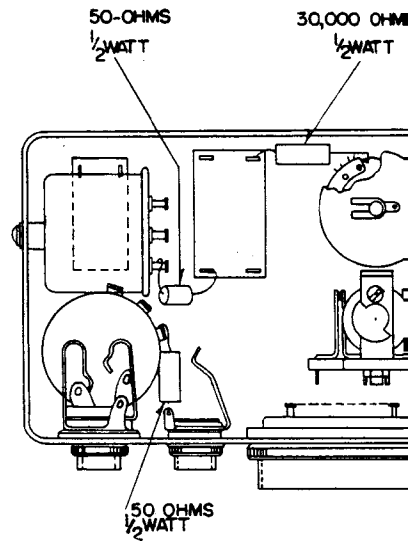
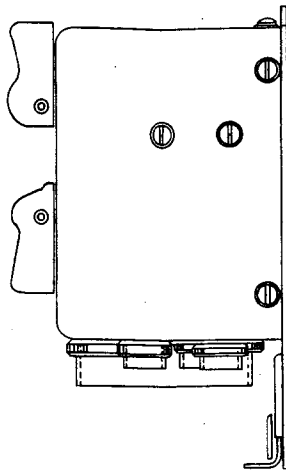
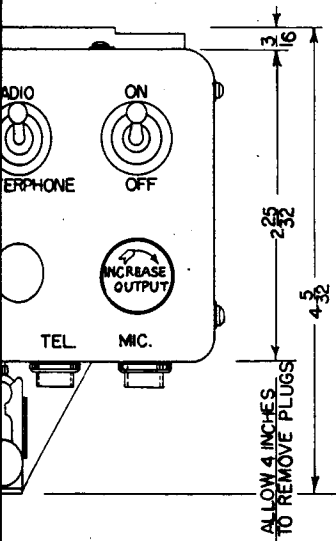


Figure 18—C-51/ARC-4 Control Unit

CONFIDENTIAL

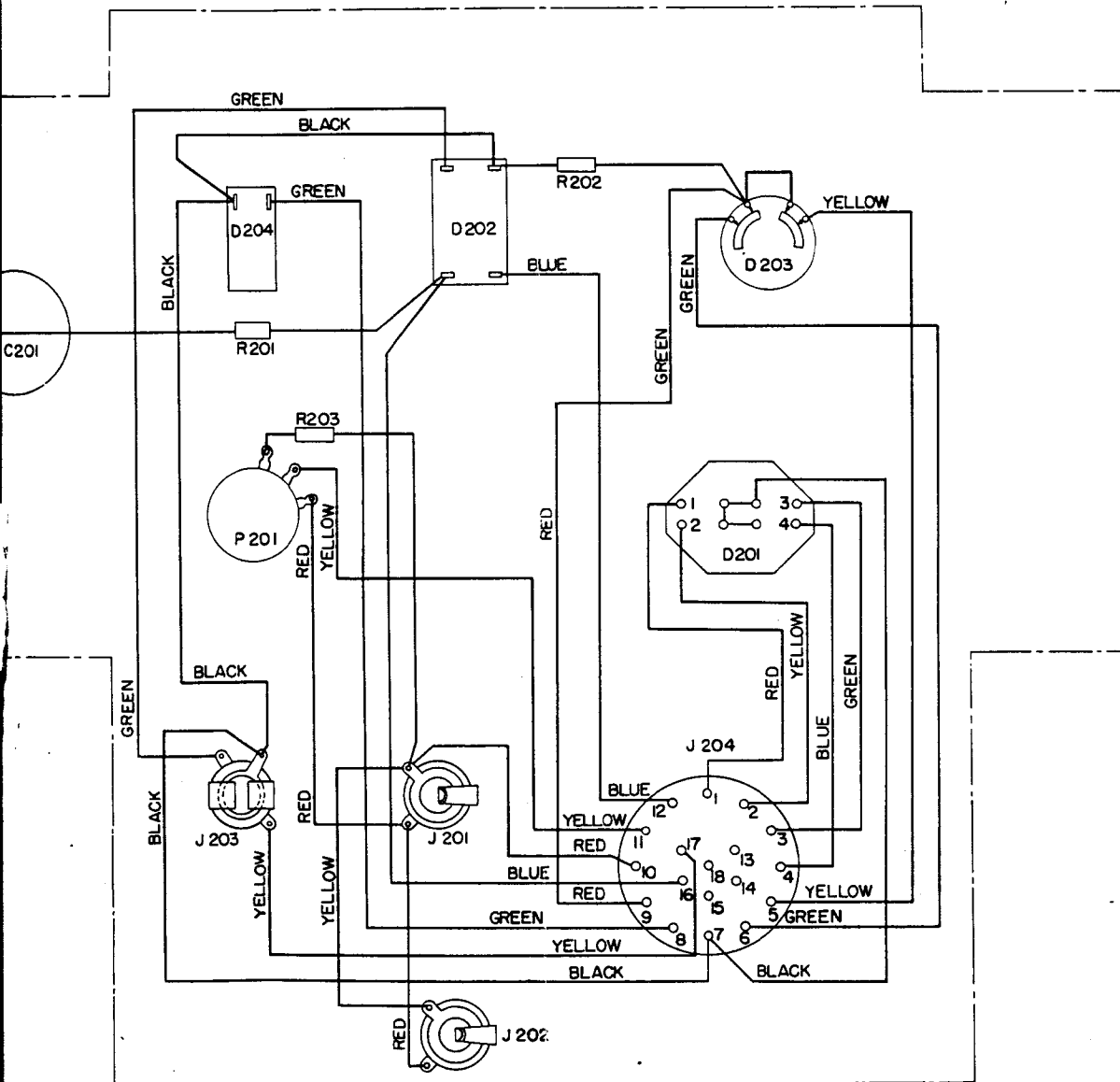
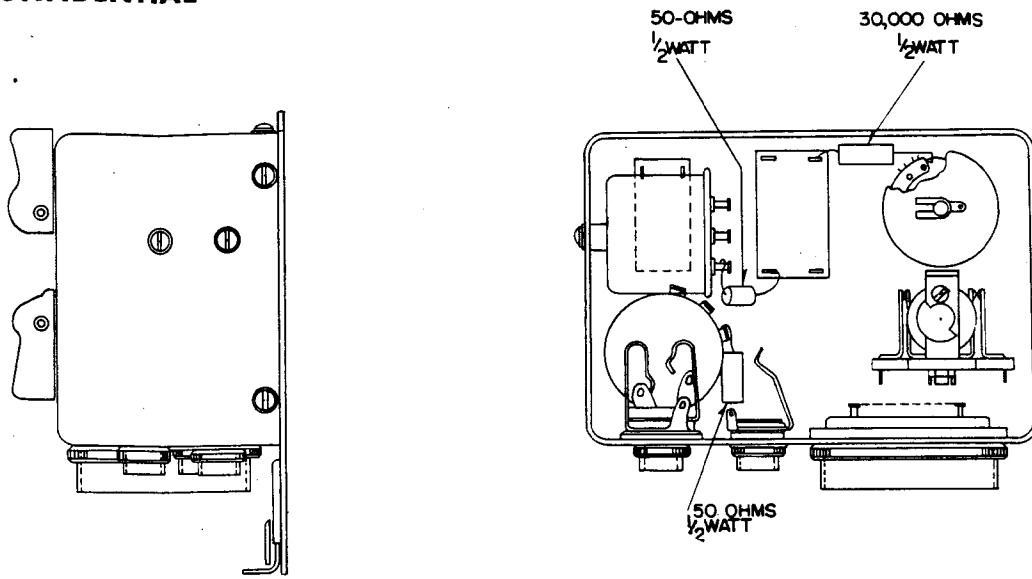
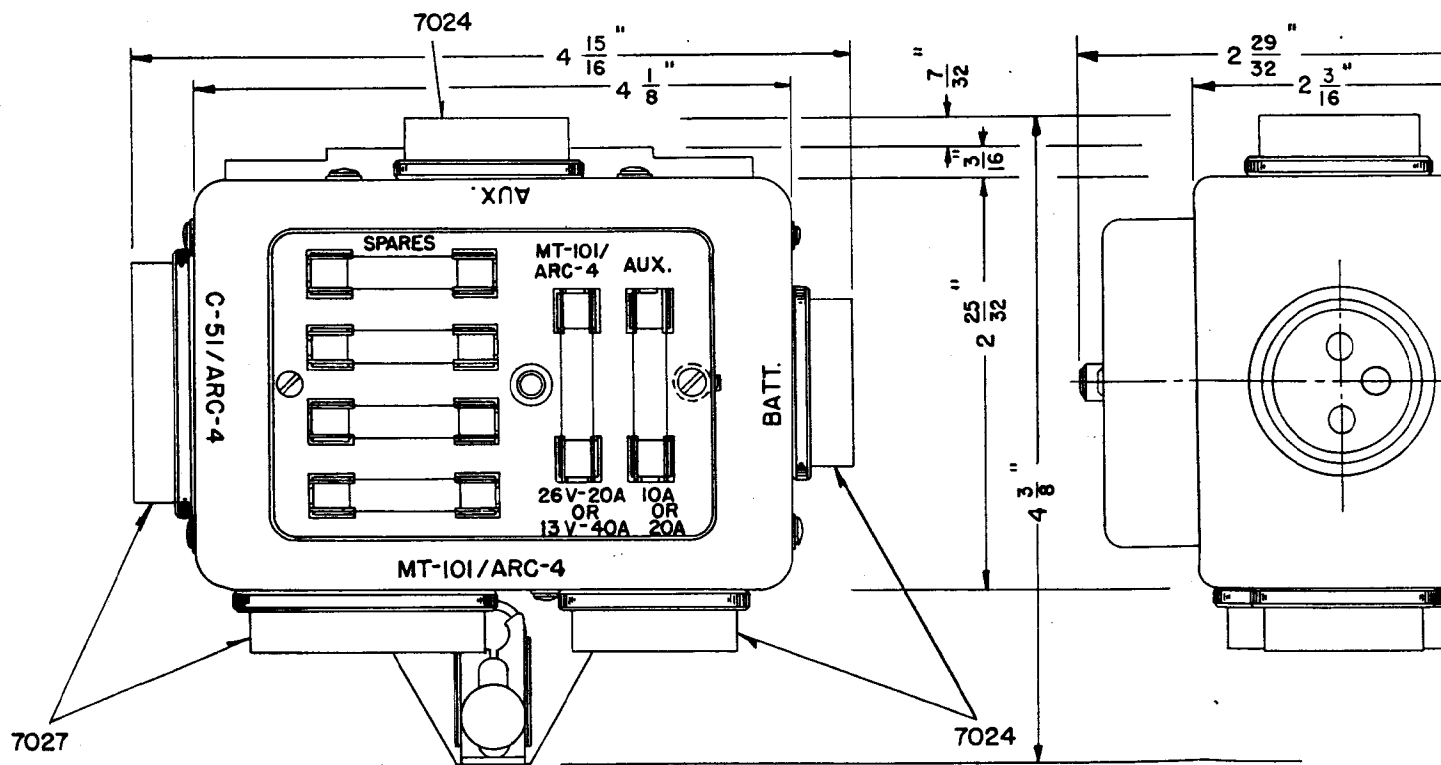
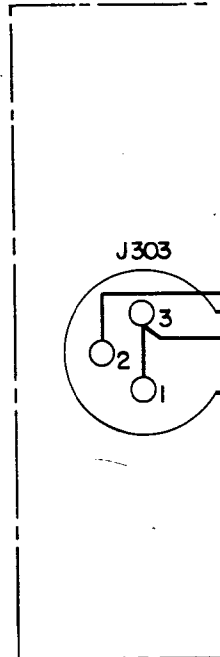
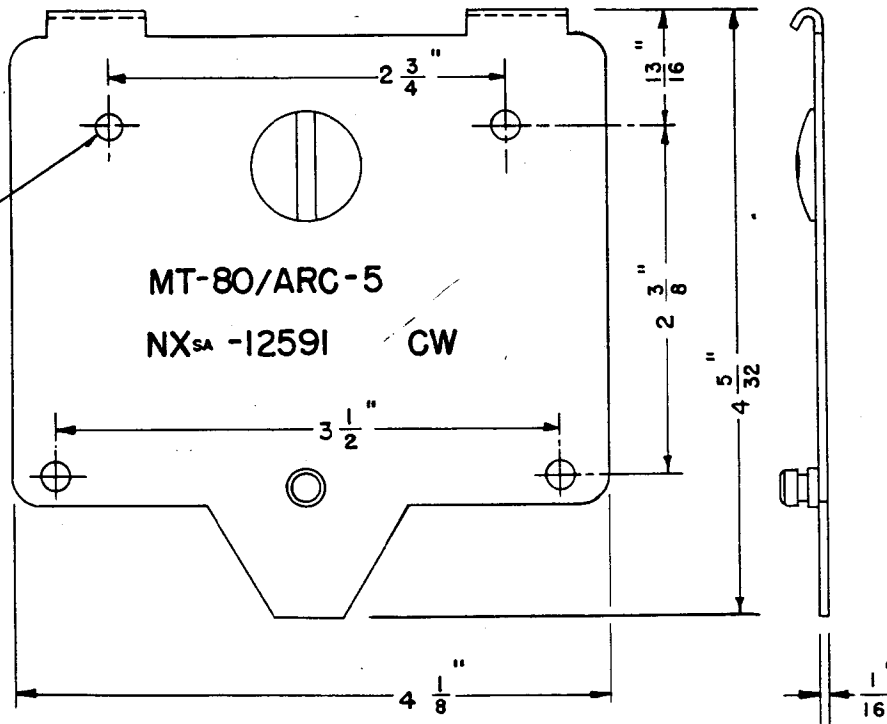


Figure 18—C-51/ARC-4 Control Unit

4 HOLES FOR NO. 8 SCREWS



VIEW WITH FUSE COVER REMOVED

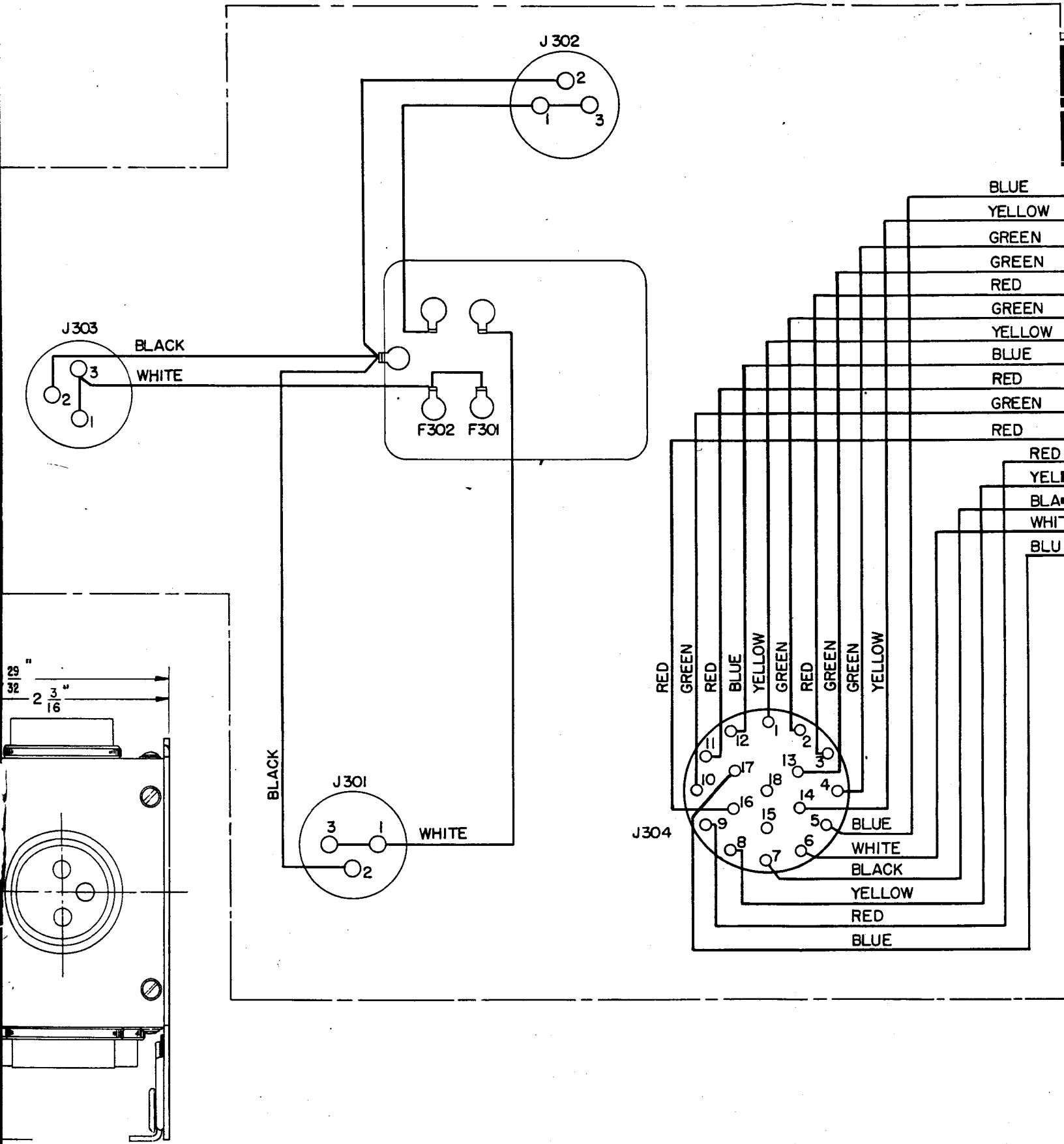
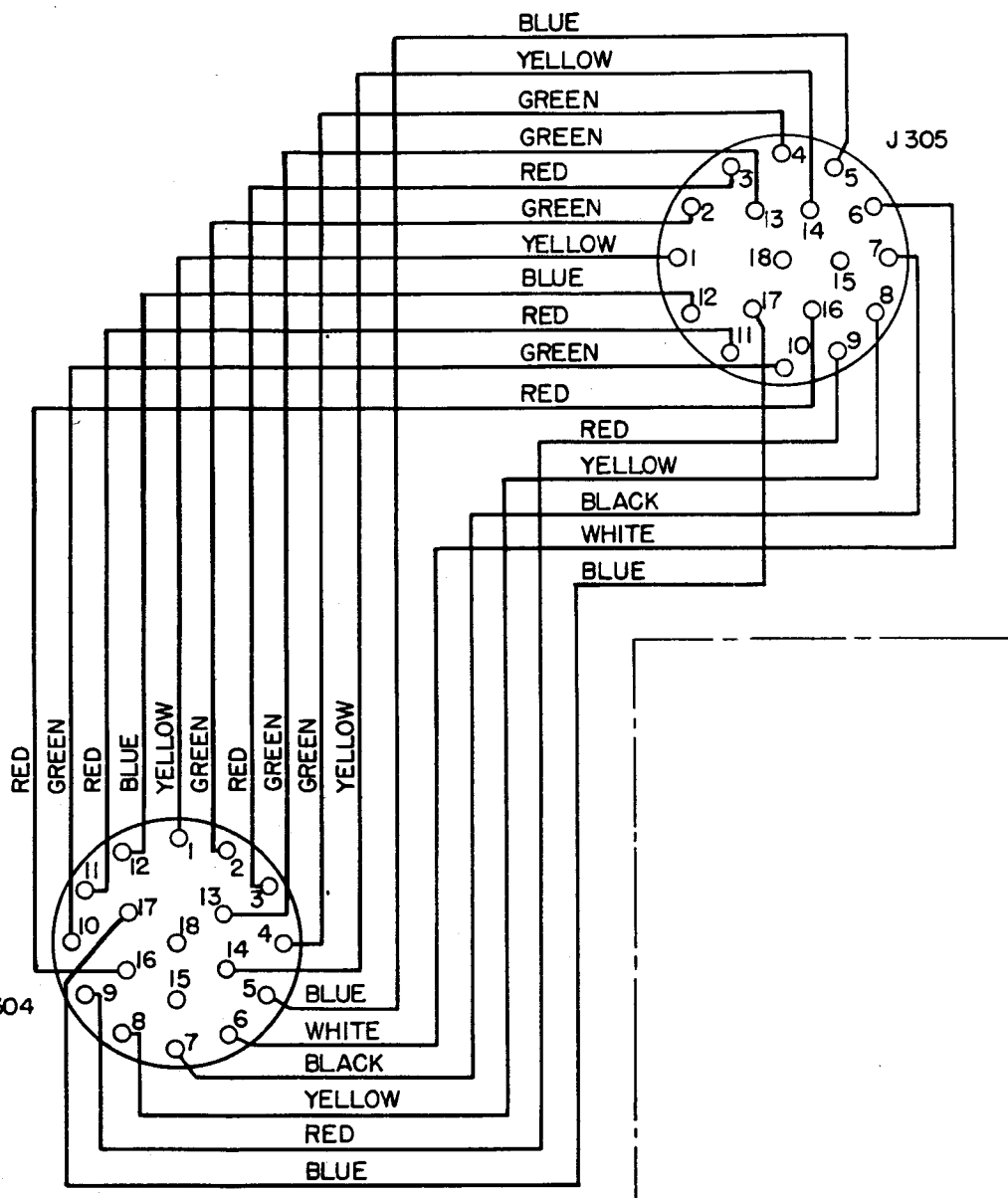
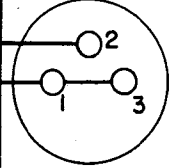


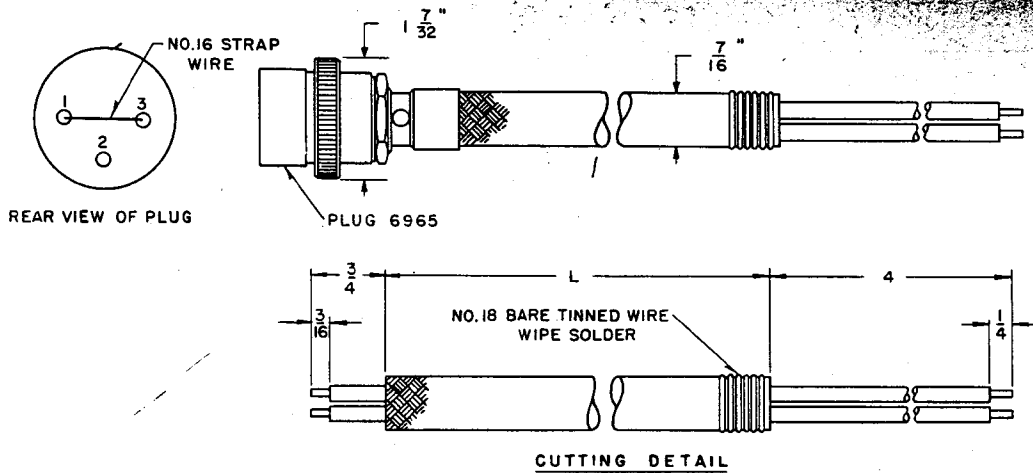
Figure 17—J-23/ARC-4 Junction Box

J 302



J 305

J304

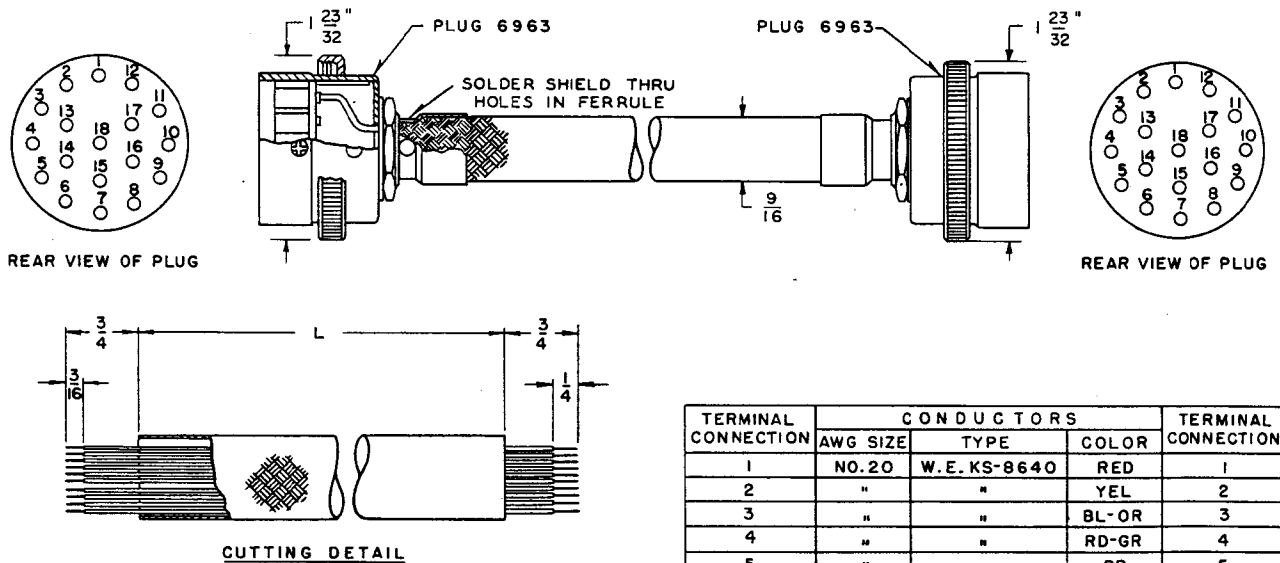


TERMINAL CONNECTION	CONDUCTORS			TERMINAL CONNECTION
	AWG SIZE	TYPE	COLOR	
1 & 3	NO.10	W.E. KS-8640	WHITE	OPEN
2	"	"	BLACK	"

**ASSEMBLY PROCEDURE**

- ENCASE CONDUCTORS IN BRAIDED SHIELDING; PREPARE ENDS AS SHOWN.
- SLIP DISASSEMBLED PLUG PARTS OVER CABLE; MAKE SOLDERED CONNECTIONS SHOWN IN TABLE, SOLDER SHIELD INSIDE FERRULES.

**CABLE ASSEMBLY NO.2**

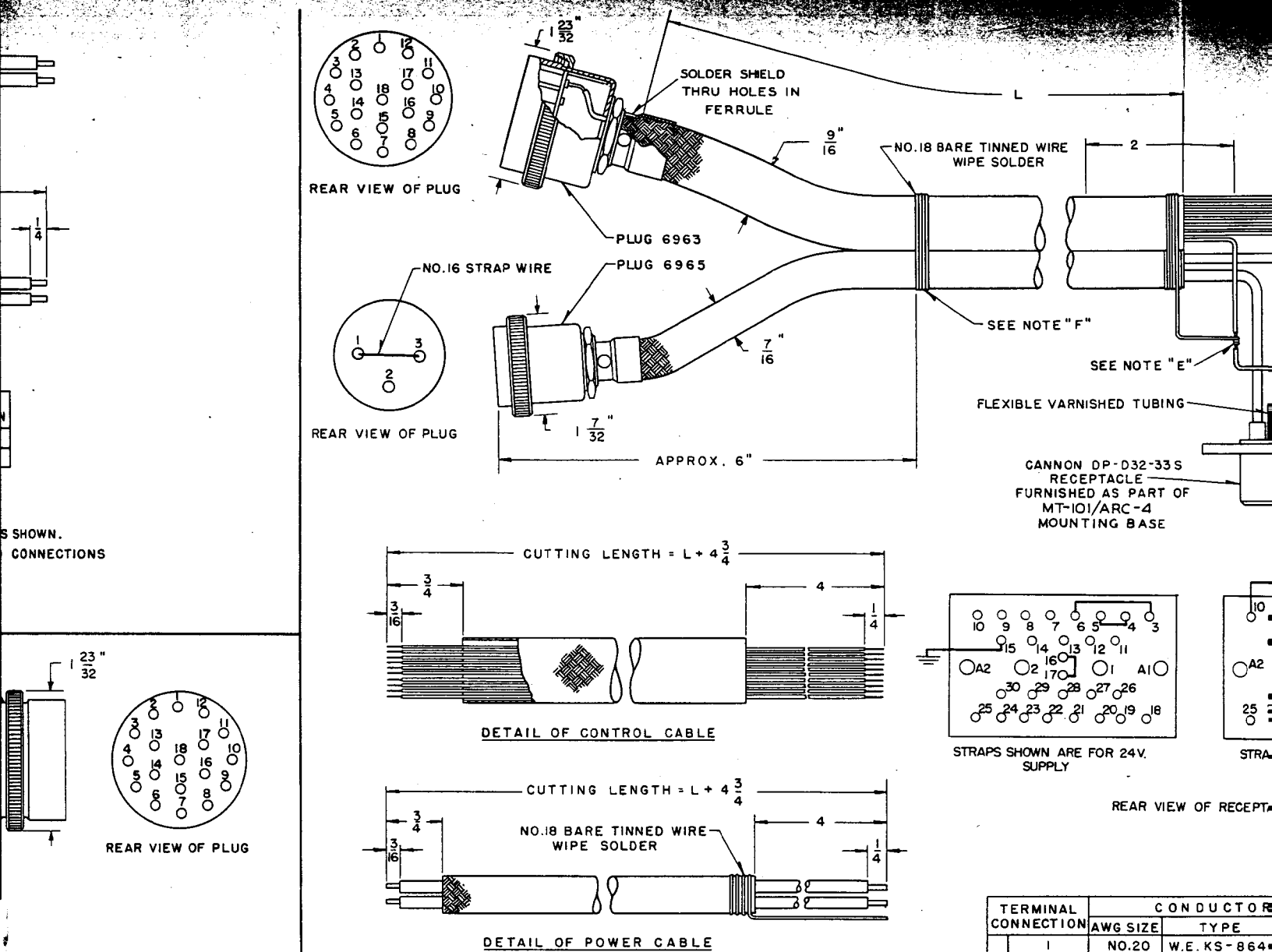


TERMINAL CONNECTION	CONDUCTORS			TERMINAL CONNECTION
	AWG SIZE	TYPE	COLOR	
1	NO.20	W.E. KS-8640	RED	1
2	"	"	YEL	2
3	"	"	BL-OR	3
4	"	"	RD-GR	4
5	"	"	BR	5
6	"	"	BL	6
7 GND.	"	"	BLK	7 GND.
8	"	"	GR	8
9	"	"	OR	9
10	"	"	WH *	10
11	"	"	BLK *	11
12	"	"	RD-BL	12
13	"	"	YEL *	13
14	"	"	GR *	14
15		NOT USED		15
16	NO.20	W.E. KS-8640	BL *	16
17	"	"	RED *	17
18		NOT USED		18

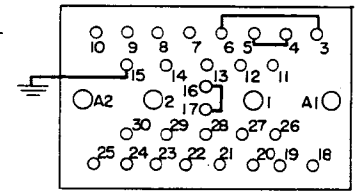
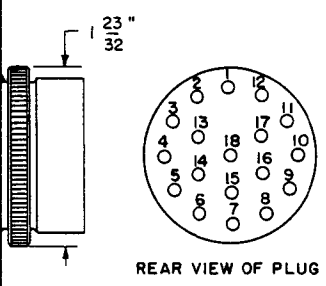
\* COLORS DESIGNATED BY ASTERISK ARE SOLID COLORS. ALL OTHER COLORS ARE TRACERS THRU WHITE BRAID.

**CABLE ASSEMBLY NO.3**

Figure 19—Cab



AS SHOWN.  
CONNECTIONS



STRAPS SHOWN ARE FOR 24V. SUPPLY

REAR VIEW OF RECEPTACLE

CONDUCTORS		TERMINAL CONNECTION
TYPE	COLOR	
W.E. KS-8640	RED	1
"	YEL	2
"	BL-OR	3
"	RD-GR	4
"	BR	5
"	BL	6
"	BLK	7 GND.
"	GR	8
"	OR	9
"	WH *	10
"	BLK *	11
"	RD-BL	12
"	YEL *	13
"	GR *	14
NOT USED		15
W.E. KS-8640	BL *	16
"	RED *	17
NOT USED		18

**ASSEMBLY PROCEDURE**

- LACE INDICATED CONDUCTORS INTO COMPACT FORM, CUT TO LENGTH.
- BOND SHIELDED PAIRS AND PREPARE CONDUCTOR ENDS AS SHOWN.
- ENCASE IN  $\frac{9}{16}$ " BRAIDED SHIELDING, CUT LENGTH OF WHICH MUST ALLOW FOR SHRINKAGE WITH INCREASED DIAMETER.
- SLIP DISASSEMBLED PLUG PARTS OVER CABLE; MAKE SOLDERED CONNECTIONS SHOWN IN TABLE, SOLDER SHIELD INSIDE FERRULES.
- SHIELD BOND OF POWER CABLE SPLICES TO BLACK WIRE OF CONTROL CABLE, TIED TO TERMINAL 30 OF CANNON RECEPTACLE.
- BOND CABLES TOGETHER AS SHOWN, APPROX. 12" BETWEEN BONDS.

NOTE: PLUG NUMBERS ARE DRAWING REFERENCES FROM D-150580 RADIO SET

TERMINAL CONNECTION	AWG SIZE	CONDUCTOR TYPE
1	NO.20	W.E. KS-8640
2	"	"
3	"	"
4	"	"
5	"	"
6	"	"
7	"	"
8	"	"
9	"	"
10	"	"
11	"	"
12	"	"
13	"	"
14	"	"
15		NOT USED
16	NO.20	W.E. KS-8640
17	"	"
18		NOT USED
19, 3	NO.10	W.E. KS-8640
2	"	"

\* BY ASTERISK ARE SOLID COLORS. ARE TRACERS THRU WHITE BRAID.

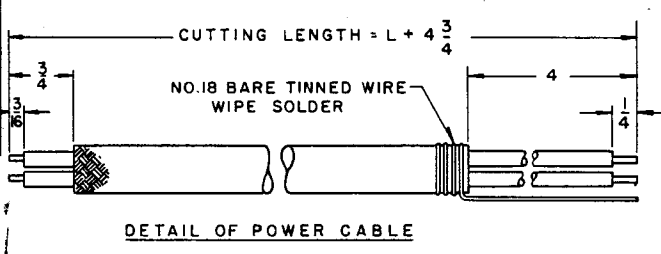
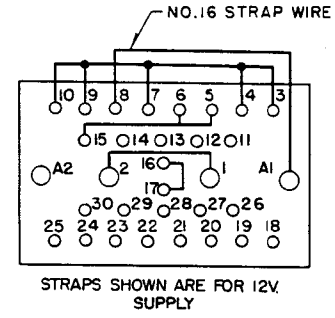
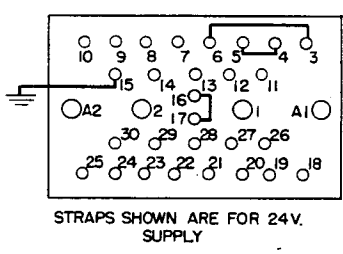
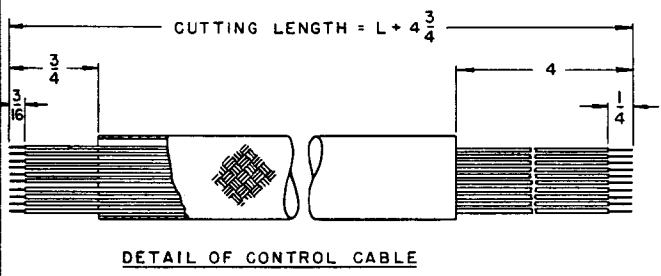
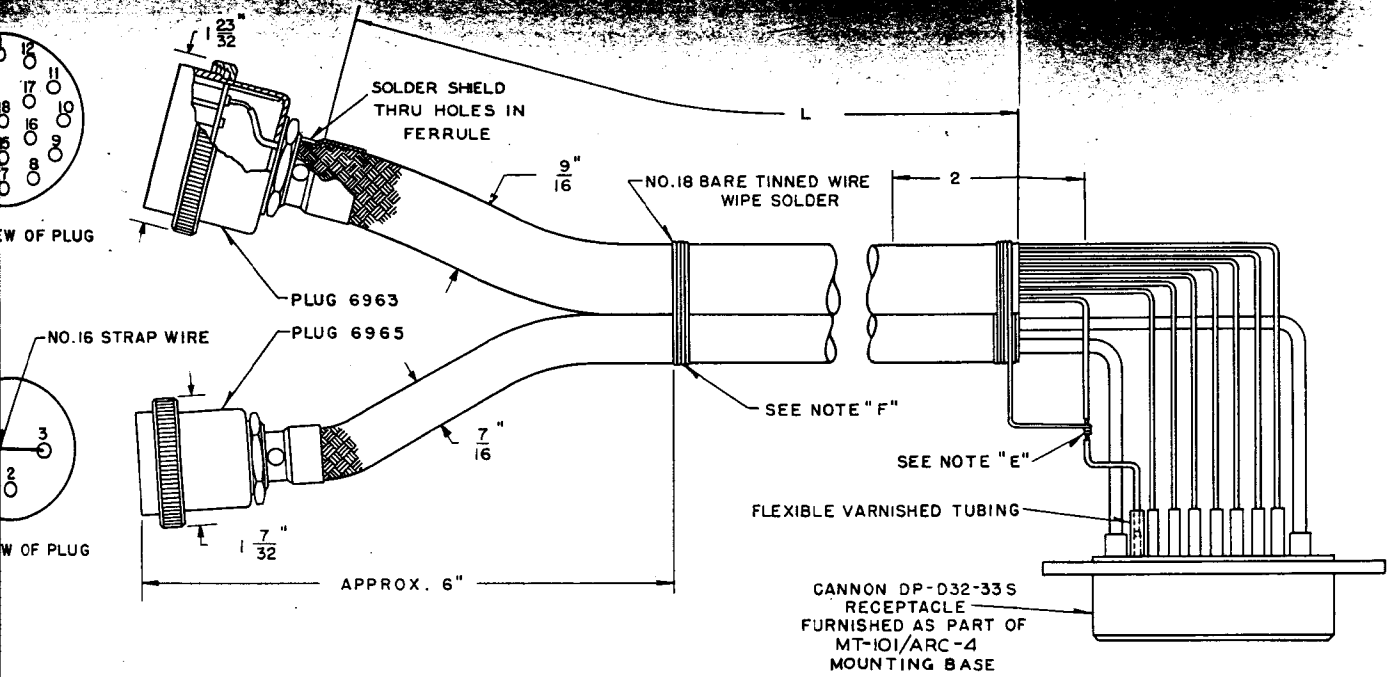
\* COLORS DESIGNATED BY ASTERISK. ALL OTHER COLORS ARE TRACERS.

CABLE ASSEMBLY NO. 1

Figure 19—Cable Assembly Instructions



ORIGINAL



**ASSEMBLY PROCEDURE**

LACE INDICATED CONDUCTORS INTO COMPACT FORM, CUT TO LENGTH. BOND SHIELDED PAIRS AND PREPARE CONDUCTOR ENDS AS SHOWN. ENCASE IN 9/16" BRAIDED SHIELDING, CUT LENGTH OF WHICH MUST ALLOW FOR SHRINKAGE WITH INCREASED DIAMETER. SLIP DISASSEMBLED PLUG PARTS OVER CABLE; MAKE SOLDERED CONNECTIONS SHOWN IN TABLE, SOLDER SHIELD INSIDE FERRULES. SHIELD BOND OF POWER CABLE SPLICES TO BLACK WIRE OF CONTROL CABLE, TIED TO TERMINAL 30 OF CANNON RECEPTACLE. BOND CABLES TOGETHER AS SHOWN, APPROX. 12" BETWEEN BONDS.

NOTE: PLUG NUMBERS ARE DRAWING REFERENCES FROM D-150580 RADIO SET

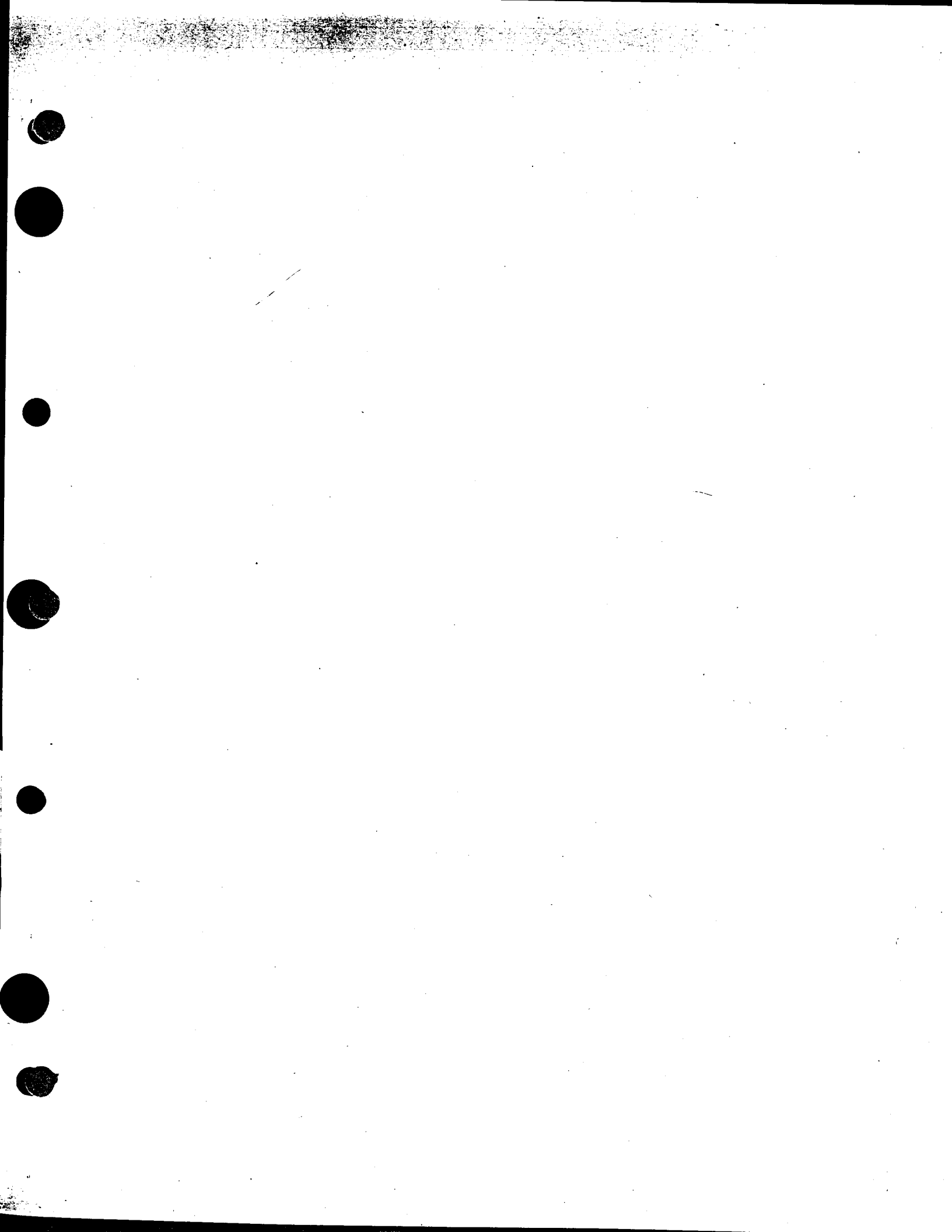
TERMINAL CONNECTION	CONDUCTORS			TERMINAL CONNECTION
	AWG SIZE	TYPE	COLOR	
1	NO.20	W.E. KS-8640	RED	11
2	"	"	YEL	12
3	"	"	BL-OR	13
4	"	"	RD-GR	14
5	"	"	BR	29
6	"	"	BL	28
7	"	"	BLK	30
8	"	"	GR	20
9	"	"	OR	18
10	"	"	WH *	22
11	"	"	BLK *	23
12	"	"	RD-BL	19
13	"	"	YEL *	24
14	"	"	GR *	25
15		NOT USED		
16	NO.20	W.E. KS-8640	BL *	21
17	"	"	RED *	26
18		NOT USED		
1 & 3	NO.10	W.E. KS-8640	WH	A1
2	"	"	BLK	A2

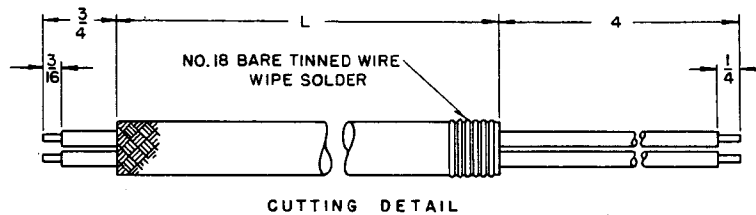
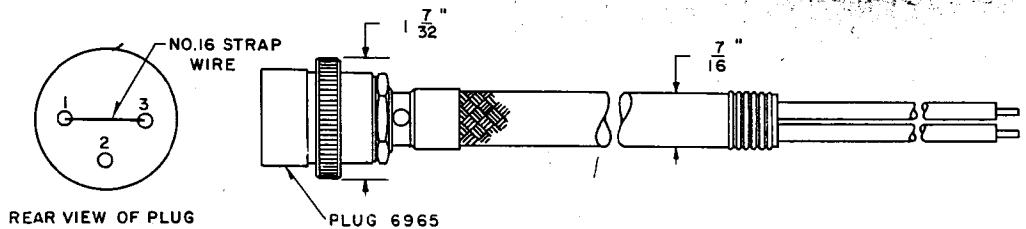
\* COLORS DESIGNATED BY ASTERISK ARE SOLID COLORS. ALL OTHER COLORS ARE TRACERS THRU WHITE BRAID.

**CABLE ASSEMBLY NO.1**

Assembly Instructions

ORIGINAL



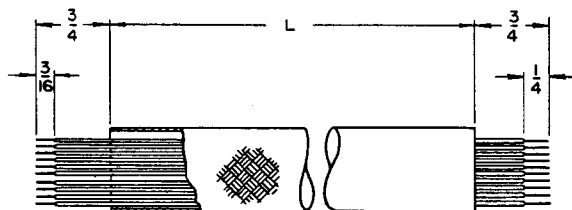
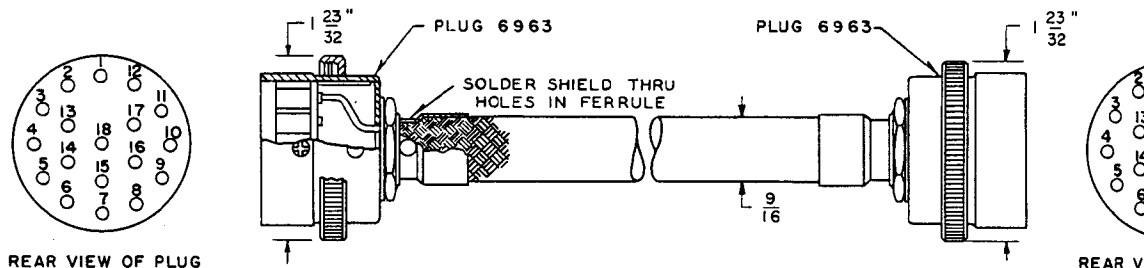


TERMINAL CONNECTION	CONDUCTORS			TERMINAL CONNECTION
	AWG SIZE	TYPE	COLOR	
1 & 3	NO.10	W.E. KS-8640	WHITE	OPEN
2	"	"	BLACK	"

**ASSEMBLY PROCEDURE**

- ENCASE CONDUCTORS IN BRAIDED SHIELDING; PREPARE ENDS AS SHOWN.
- SLIP DISASSEMBLED PLUG PARTS OVER CABLE; MAKE SOLDERED CONNECTIONS SHOWN IN TABLE, SOLDER SHIELD INSIDE FERRULES.

**CABLE ASSEMBLY NO.2**



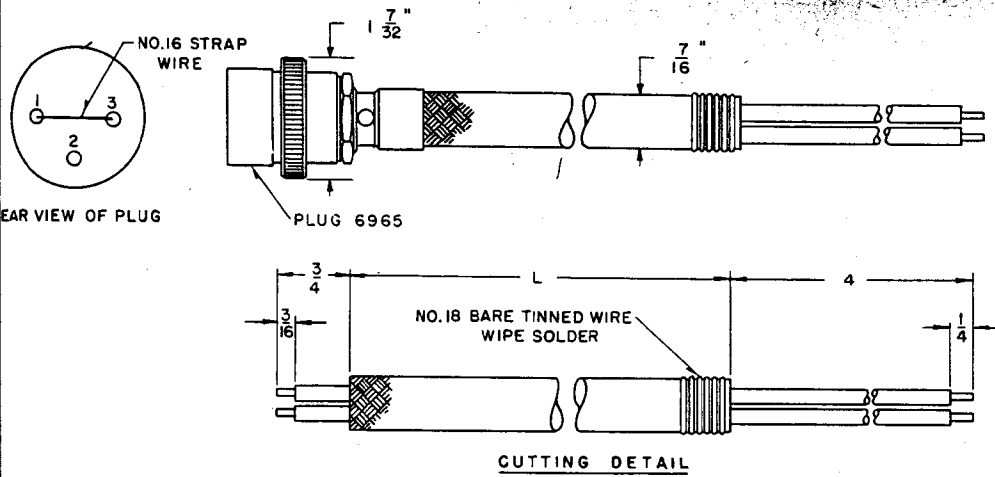
**ASSEMBLY PROCEDURE**

- LACE INDICATED CONDUCTORS INTO COMPACT FORM, CUT TO LENGTH.
- BOND SHIELDED PAIRS AND PREPARE CONDUCTOR ENDS AS SHOWN.
- ENCASE IN 9/16" BRAIDED SHIELDING, CUT LENGTH OF WHICH MUST ALLOW FOR SHRINKAGE WITH INCREASED DIAMETER.
- SLIP DISASSEMBLED PLUG PARTS OVER CABLE; MAKE SOLDERED CONNECTIONS SHOWN IN TABLE, SOLDER SHIELD INSIDE FERRULES.

TERMINAL CONNECTION	CONDUCTORS		
	AWG SIZE	TYPE	COLOR
1	NO.20	W.E. KS-8640	RED
2	"	"	YEL
3	"	"	BL-OR
4	"	"	RD-GR
5	"	"	BR
6	"	"	BL
7 GND.	"	"	BLK
8	"	"	GR
9	"	"	OR
10	"	"	WH *
11	"	"	BLK *
12	"	"	RD-BL
13	"	"	YEL *
14	"	"	GR *
15		NOT USED	
16	NO.20	W.E. KS-8640	BL *
17	"	"	RED *
18		NOT USED	

\* COLORS DESIGNATED BY ASTERISK ARE SOL  
ALL OTHER COLORS ARE TRACERS THRU W

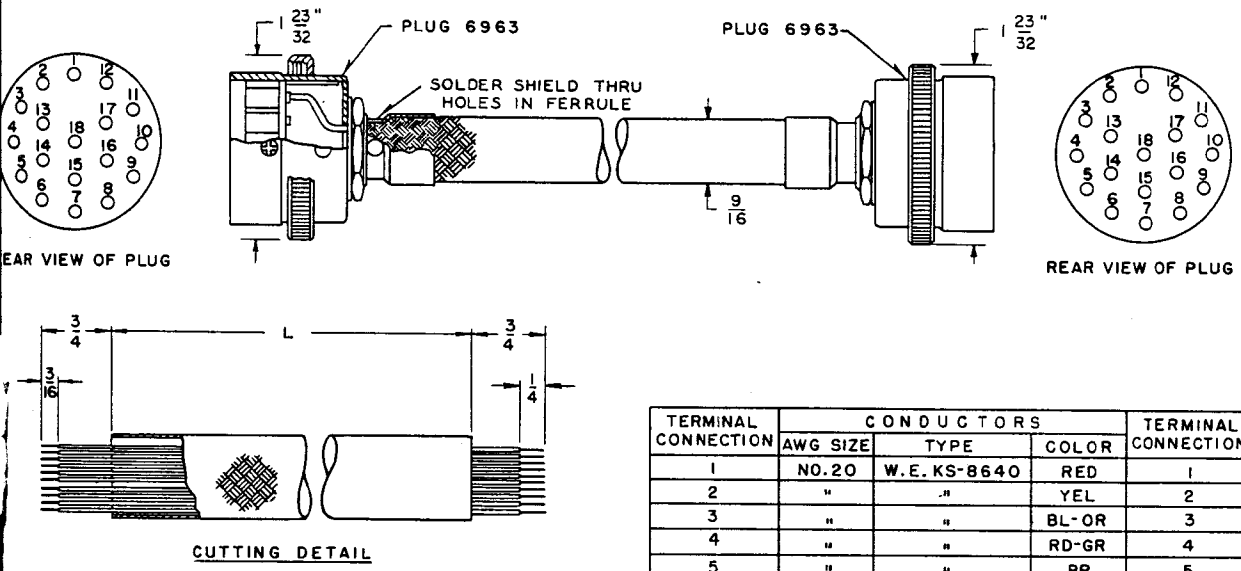
**CABLE ASSEMBLY NO.3**



ASSEMBLY PROCEDURE

- A. ENCASE CONDUCTORS IN BRAIDED SHIELDING; PREPARE ENDS AS SHOWN.
- B. SLIP DISASSEMBLED PLUG PARTS OVER CABLE; MAKE SOLDERED CONNECTIONS SHOWN IN TABLE, SOLDER SHIELD INSIDE FERRULES.

CABLE ASSEMBLY NO.2

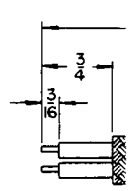
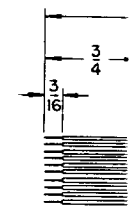
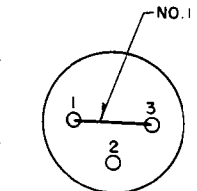
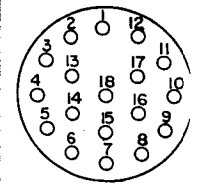


ASSEMBLY PROCEDURE

- A. LACE INDICATED CONDUCTORS INTO COMPACT FORM, CUT TO LENGTH.
- B. BOND SHIELDED PAIRS AND PREPARE CONDUCTOR ENDS AS SHOWN.
- C. ENCASE IN 9/16" BRAIDED SHIELDING, CUT LENGTH OF WHICH MUST ALLOW FOR SHRINKAGE WITH INCREASED DIAMETER.
- D. SLIP DISASSEMBLED PLUG PARTS OVER CABLE; MAKE SOLDERED CONNECTIONS SHOWN IN TABLE, SOLDER SHIELD INSIDE FERRULES.

CABLE ASSEMBLY NO.3

\* COLORS DESIGNATED BY ASTERISK ARE SOLID COLORS. ALL OTHER COLORS ARE TRACERS THRU WHITE BRAID.



- A. LACE IND
- B. BOND SH
- C. ENCASE I
- D. SLIP DISA
- E. SHIELD E
- F. BOND CAE

NOTE: PLUG RAD

Figure 19—Cable Assembly In: