

1	Supply Unit See PC-N° 75526-7	3108	75450	4150	H8787	Set Kit
2	Sender Receiver Unit. PC N° 75526-7	10178	92049	410	J8786	Set Kit
3	Aerial Variometer. PC N° 76717	10214	75608	4114	11774	Set Kit
4	Aerial Base N° 8	1763	76387	—	11601	Standard Kit
5	Aerial Base N° 8 Mtg N° 3	1827	76555	—	11761	Installation Kit
6	Aerial Base N° 9	1764	75525	—	11608	Standard Kit
7	Aerial Base N° 9 Mtg N° 1	1765	76419	—	11762	Installation Kit
8	Control Unit N° 2 MK II	10358	75732	—	11782	Installation Kit
9	Control Unit N° 1 Mk II	10243	75524	—	11781	Installation Kit
10	Junction Distribution N° 3	10244	75523	—	11964	Installation Kit
11	Microphone & Receiver Headgear N° 1	2904	76338	—	—	Std & Installation
12	Leads Aerial N° 1	3141	76421	4123	11965	Standard Kit
13	Leads Aerial N° 3	3143	76460	—	11967	Installation Kit
14	Aerial Feeder Assembly N° 6	10209	76565	—	11753	Installation Kit
15	Connectors Twin N° 88	10242	76716	—	11730	Installation Kit
16	Connectors 12 Pt N° A6B (Aust)	—	—	4180	—	Installation Kit
17	Connectors 12 Pt N° A10B (Aust)	—	—	4189	—	Installation Kit
18	Connectors 3 Pt N° 11	11005	76956	—	11732	Installation Kit

DRAWN AS Fisher

CHECKED *UKS*

TRACED *HA*

APPROVED *J. B. B.*

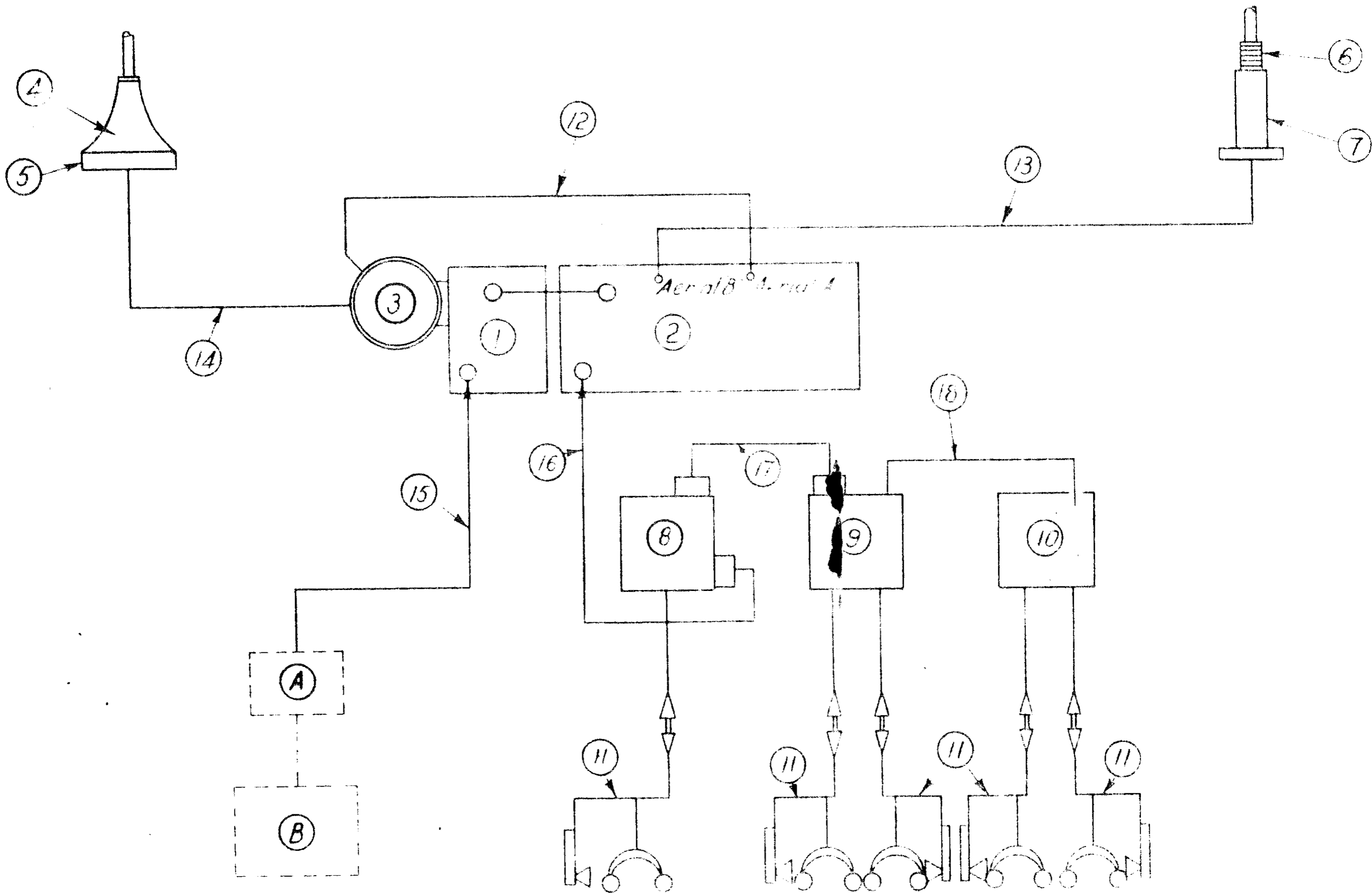
**WIRELESS SETS N° 19**  
**AUST. INSTALLATION SET**  
**FOR LIGHT ARMoured CAR**

**WIRELESS SETS N° 19 MK II**  
**(AUST.)**

**A.D.D. (W) 30**

APPROVED

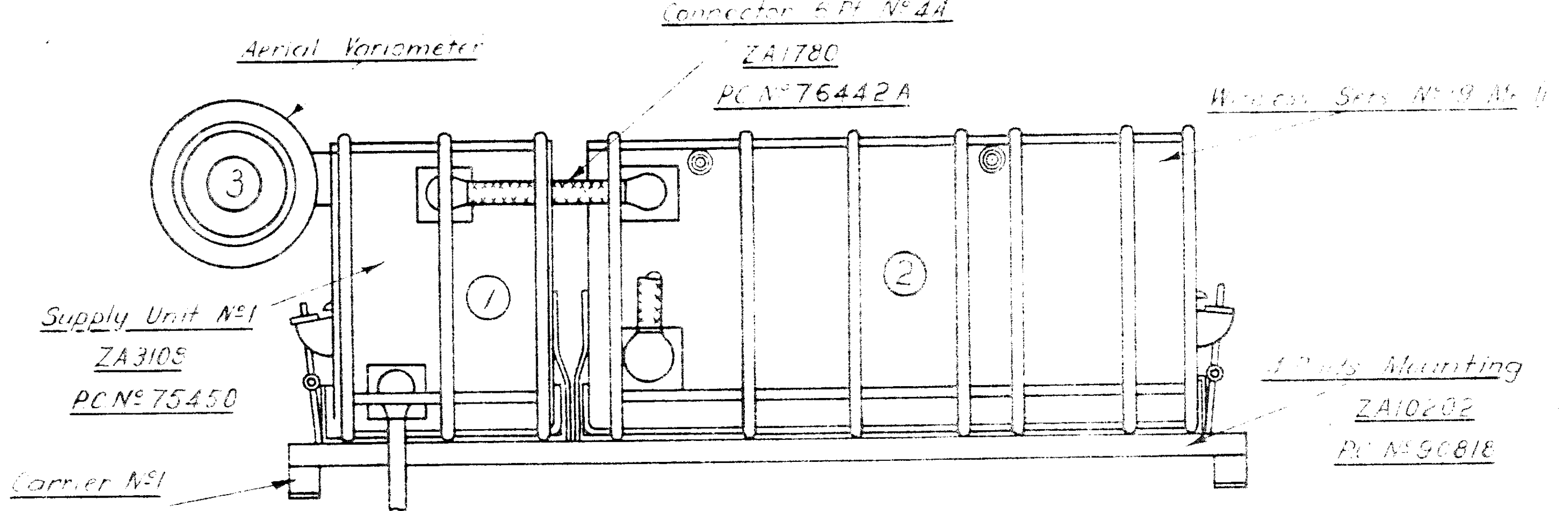
DATE



Gunner-Operator    Commander    Driver    LH Gunner    RH Gunner

**SCHEMATIC DIAGRAM**

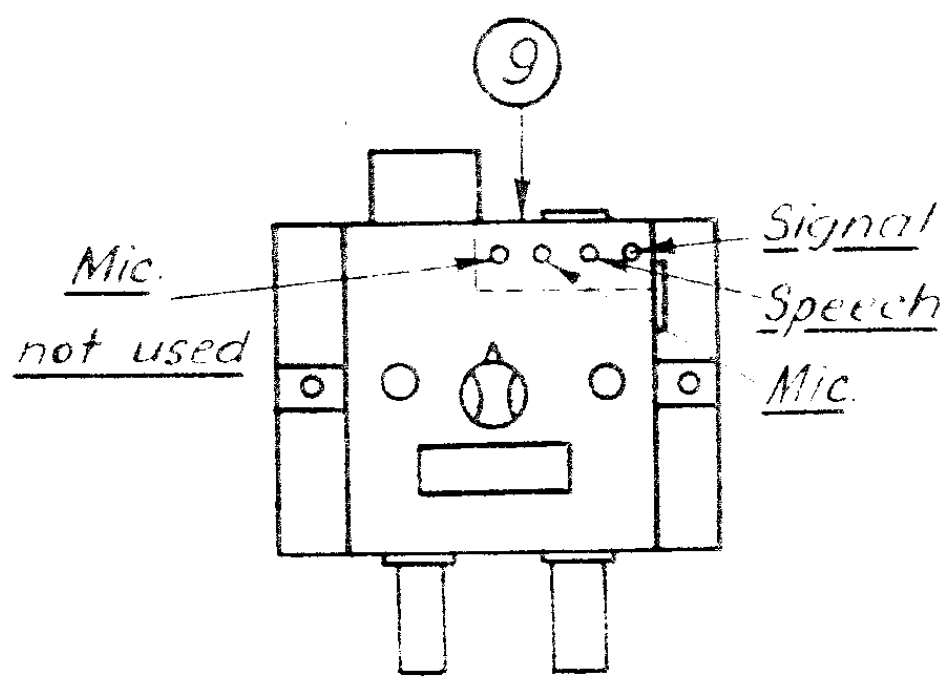
Components shown dotted are provided in the vehicle installation



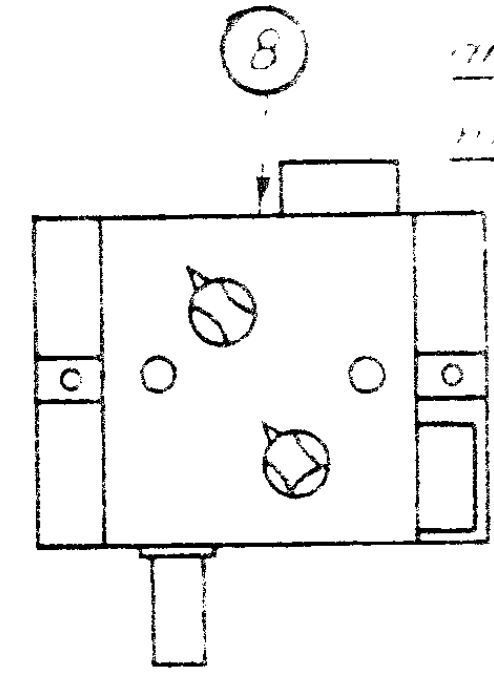
**SET KIT**

These five terminals  
are not used but  
must be started

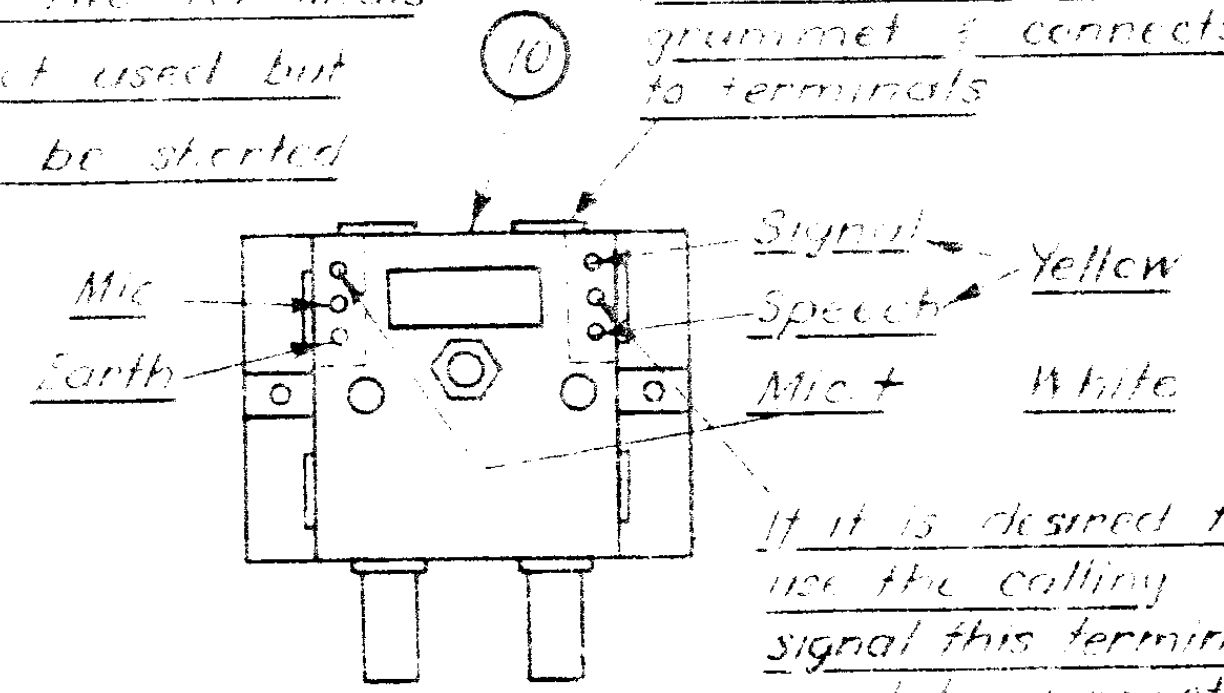
Connector 3 Pt N°11  
passes through this  
grummet & connects  
to terminals



CONTROL UNITS N°1 MA II  
ZA11245  
PC N°75744

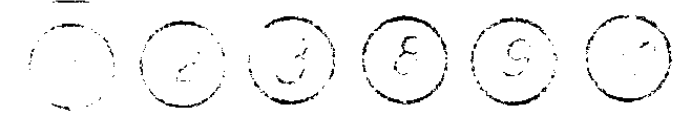


CONTROL UNIT N°2 MA II  
ZA11353  
PC N°75752



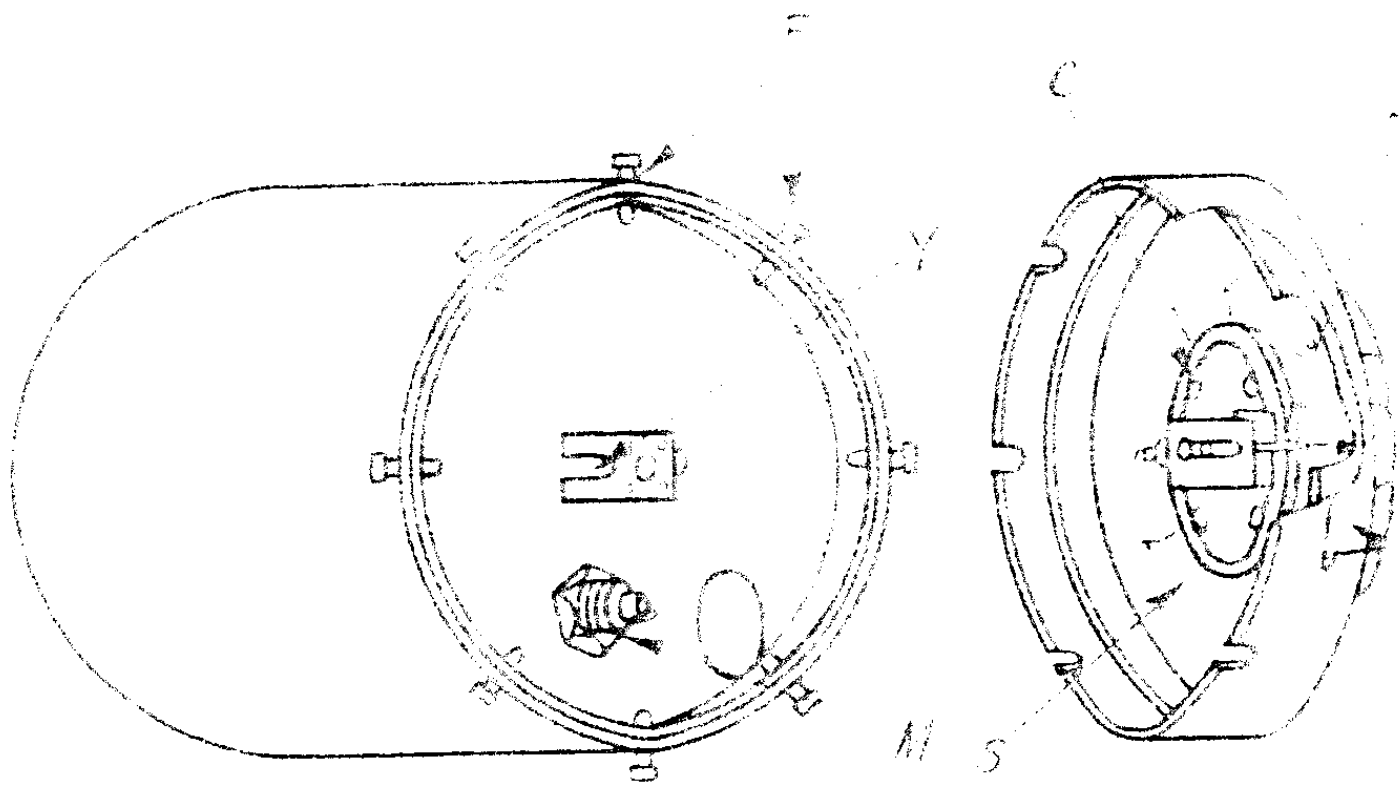
JUNCTION DISTRIBUTION  
N°1  
ZA11024  
PC N°75743

If it is desired to  
use the calling  
signal this terminal  
must be connected  
to the ground  
+12 V. supply



**CONNECTORS 12 Pt.**

The identification label is fixed to the left hand end of the connector  
ie toward the left hand of the operator when facing the unit.  
Both ends must be plugged in before creating contact.



Instructions for Altering Position of Variometer  
Index Window

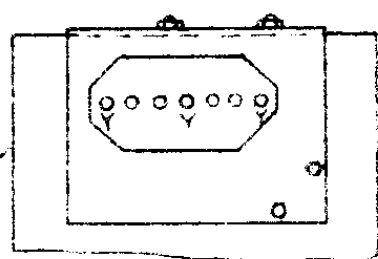
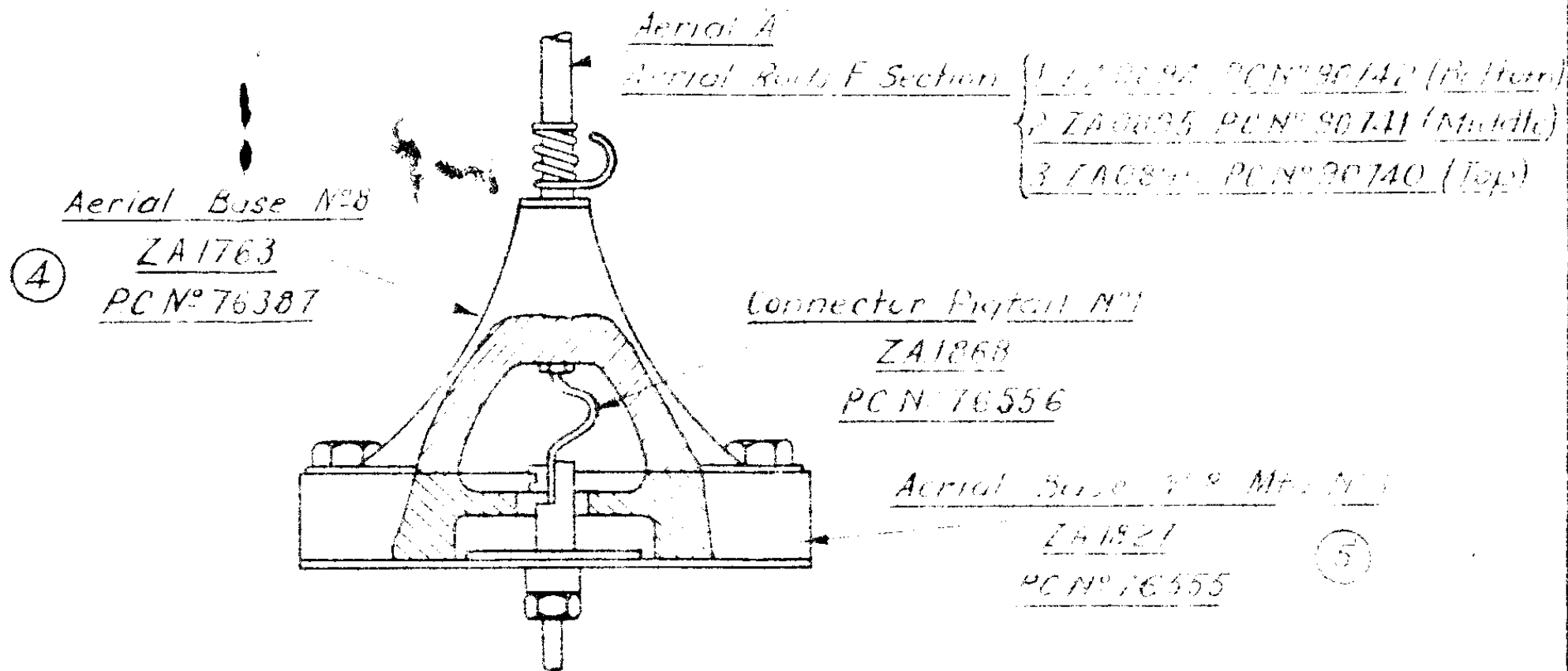
- 1 Determine best position & note number stamped on case over nearest fixing screw. Position recommended for this vehicle is N°4. Remove front or control end cover after loosening 6 screws F round periphery
- 2 Slackening 4 screws C will allow a number on graduated scale S corresponding to that already noted on outside of case to be brought to pointer P
- 3 Retighten 4 screws C sufficiently to give smooth movement of knob & dial
- 4 Turn pointer P to index window W & coupling ferrule number on case corresponding to setting of pointer P, replace end cover & tighten 6 screws F
- 5 Adjustment M is for use only when calibrating meter (for MKII Westinghouse Precision Indicator) see instruction manual - } only  
back

B Battery

A Terminal etc.

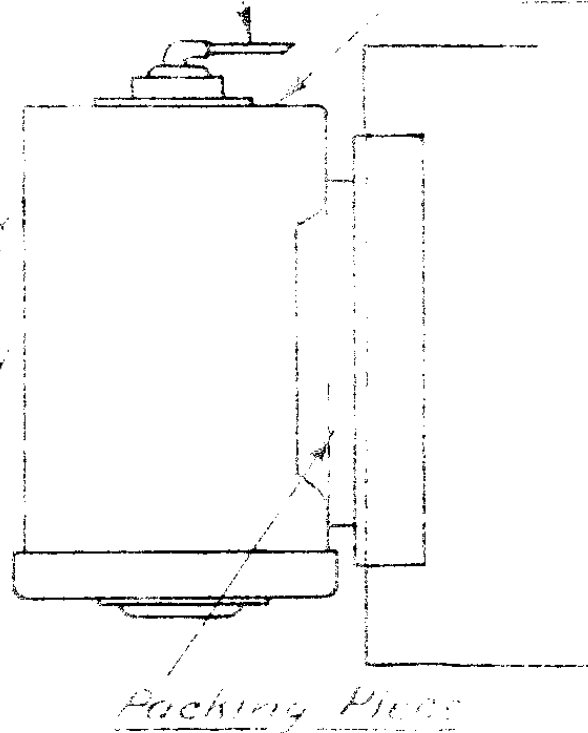
Code No

Description



Aerial Feeder Assembly N°6  
ZA10209 (14)

Aerial Variometer  
ZA10214  
PCN° 75604 (3)



Seating Plate N°3  
ZA10216  
PCN° 76663

(3) (4) (5) (14)

Fixing Variometer to Supply Unit

1. Remove dummy cover at end of Variometer & fix Aerial Feeder Assy N°6 in its place.
2. Fix Variometer to seating plate N°3 (see view).
3. Remove supply unit from its case by unscrewing central large headed screw at bottom of supply unit panel & then withdrawing the unit.
4. Fix Variometer & seating plate to supply unit case by 4-2BA csk hd screws, nuts & spring washers. Nuts to be fixed on outside of case.

Aerial 1  
Antenna Rod G Sections  
ZA1771  
PC N° 96761

To Remove Aerial Base A  
N°9

- 1. Remove screws E
- 2. Release spring "H" lifting  
Aerial Base for enough  
to allow this to be done

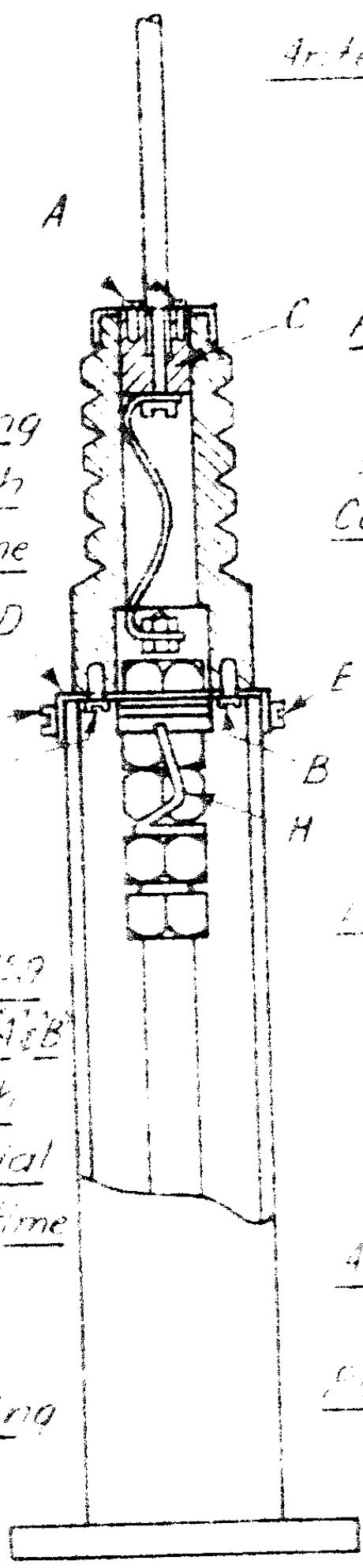
3. Withdraw leads D  
Aerial N°3

To Renew Connector  
Pigtail N°2

- 1. Remove Aerial Base N°9
- 2. Remove fixing screw A&B
- 3. Push insert "C" through  
moulding using aerial  
rod "G" at the same time  
removing "up" D

- 4. Renew Pigtail
- 5. Reassemble by pulling  
insert "C" through  
moulding by means  
of rod G

- 6. Replace screws A&B
- 7. Replace Aerial Base N°9



Aerial Base N°9  
ZA1764 (6)  
PC N° 75525

Connector Pigtail N°2  
ZA10124  
PC N° 76557

Leads Aerial N°3  
ZA 31.14  
PC N° 16466 (3)

Aerial Base N°9 AHJ N°1  
ZA1765  
PC N° 76419 (7)