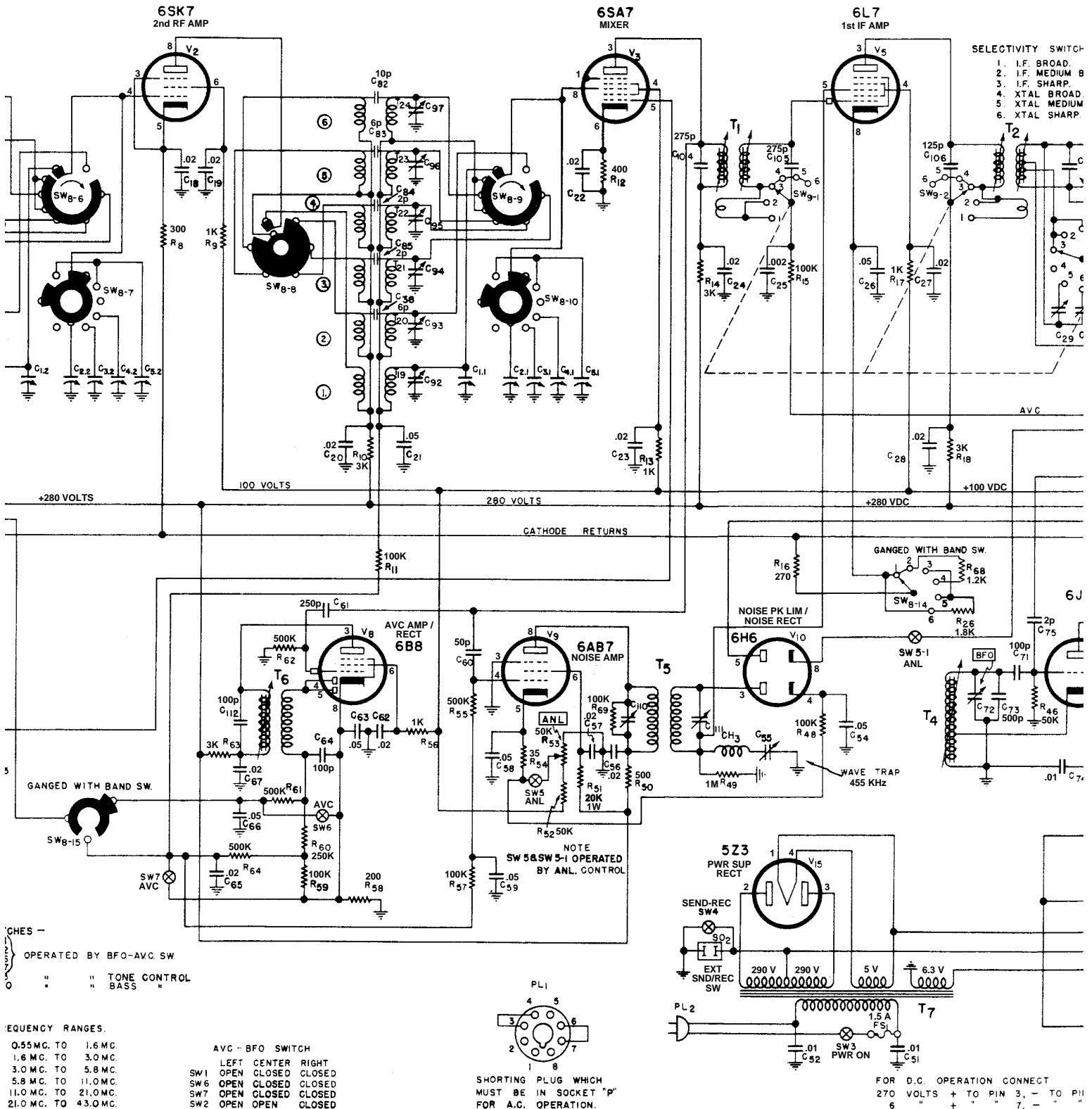


the hallicrafters co.

SCHMATIC DIAGRAM - SUPER SKYRIDER - MODEL SX-28.



OPERATED BY BFO-AVC SW
 " " " TONE CONTROL
 " " " BASS "

FREQUENCY RANGES.
 0.55 MC. TO 1.6 MC.
 1.6 MC. TO 3.0 MC.
 3.0 MC. TO 5.8 MC.
 5.8 MC. TO 11.0 MC.
 11.0 MC. TO 21.0 MC.
 21.0 MC. TO 43.0 MC.

AVC - BFO SWITCH
 LEFT CENTER RIGHT
 SW1 OPEN CLOSED CLOSED
 SW6 OPEN CLOSED CLOSED
 SW7 OPEN CLOSED CLOSED
 SW2 OPEN OPEN CLOSED

PL1
 SHORTING PLUG WHICH
 MUST BE IN SOCKET "P"
 FOR A.C. OPERATION.

FOR D.C. OPERATION CONNECT
 270 VOLTS + TO PIN 3, - TO PIN 6
 + " " " 7, - " " "