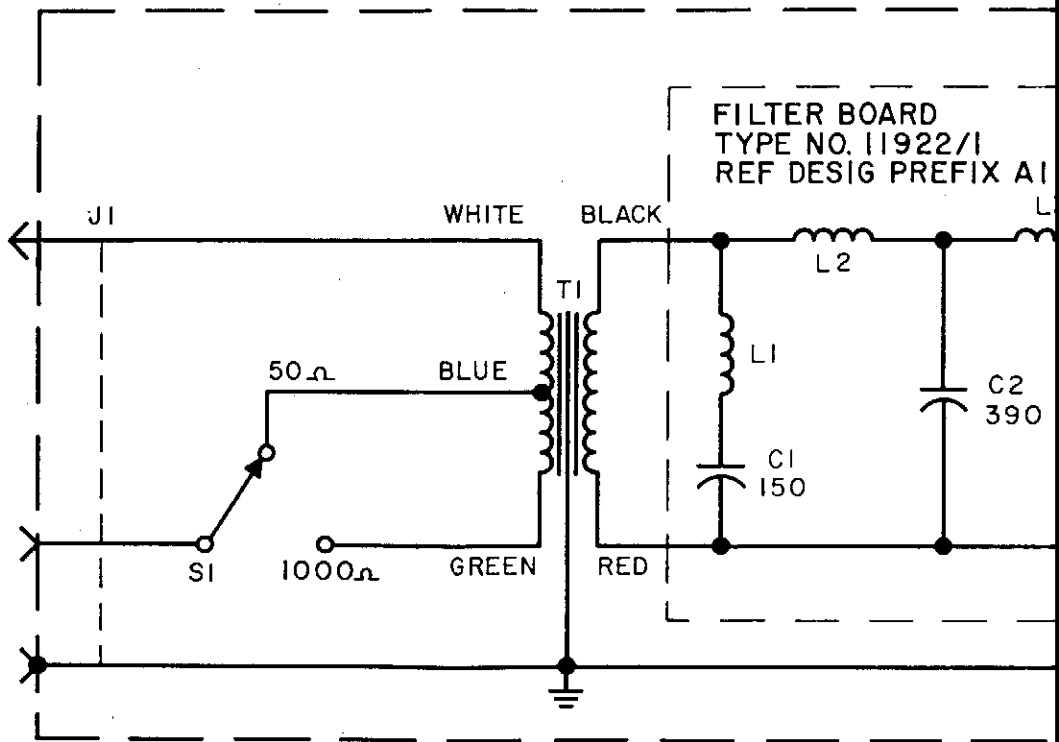
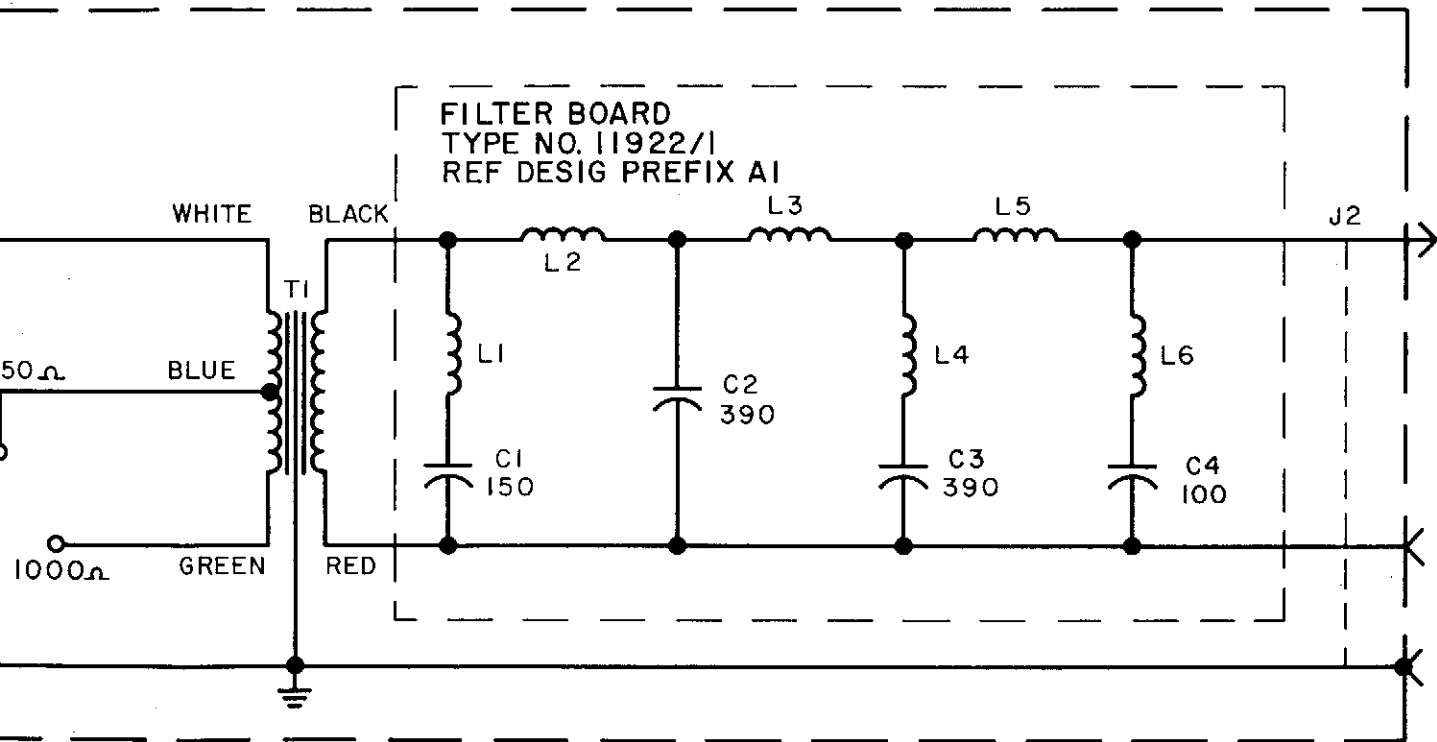


SECTION VI
SCHEMATIC DIAGRAMS



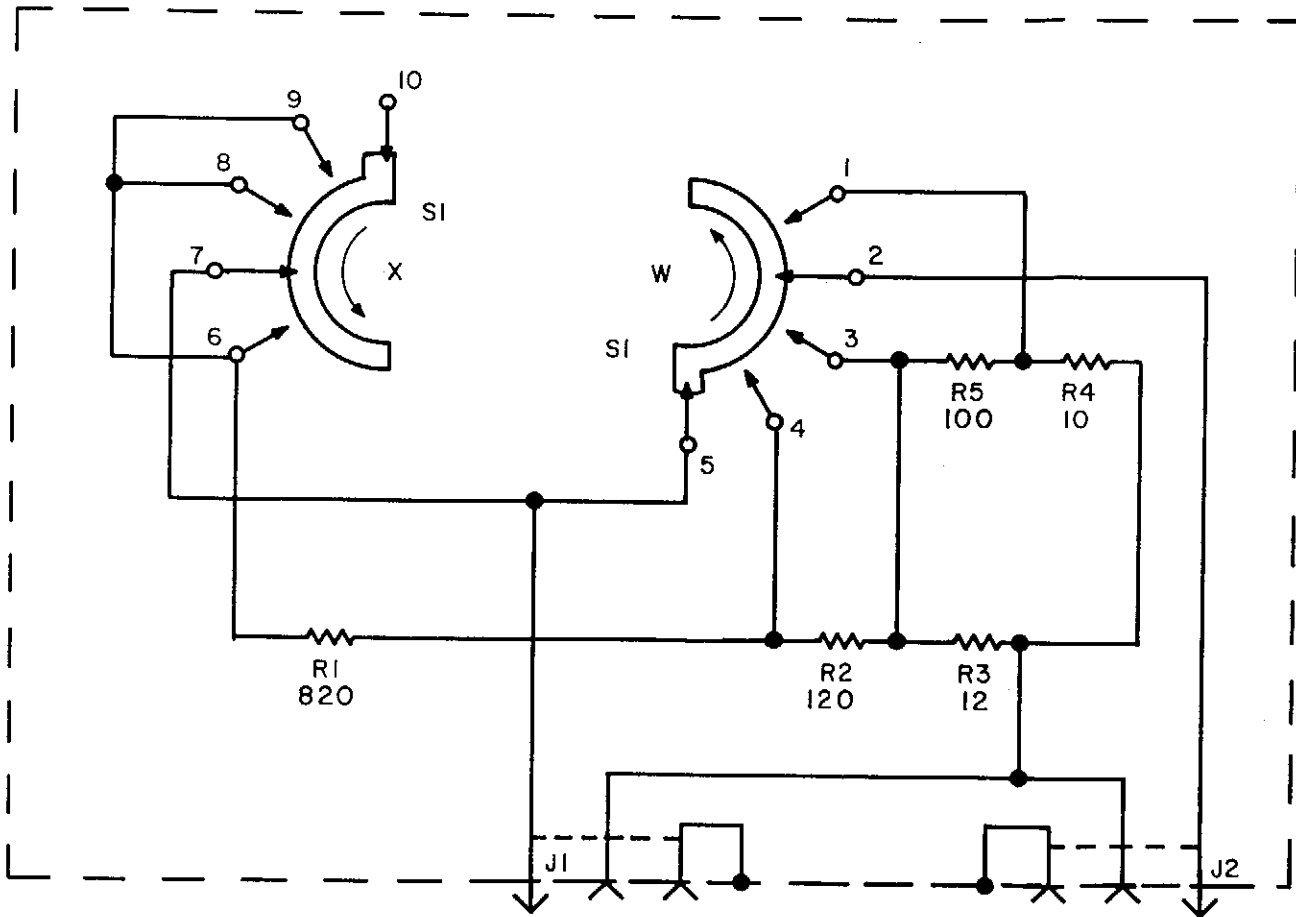
NOTES:
 1. CAPACITANCE IS MEASURED IN pf

REF DESIG PREFIX A1



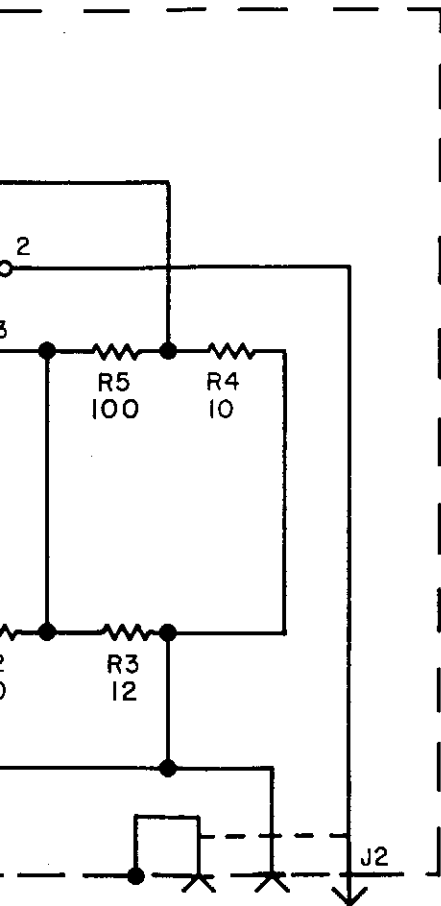
IMPEDANCE IS MEASURED IN pf

Figure 6-1. Type 79224 Input Transformer and Filter Assembly, Schematic Diagram



NOTES:
 1. RE
 2. SW
 PO
 KN
 CO
 BY
 PO

REF DESIG PREFIX A2

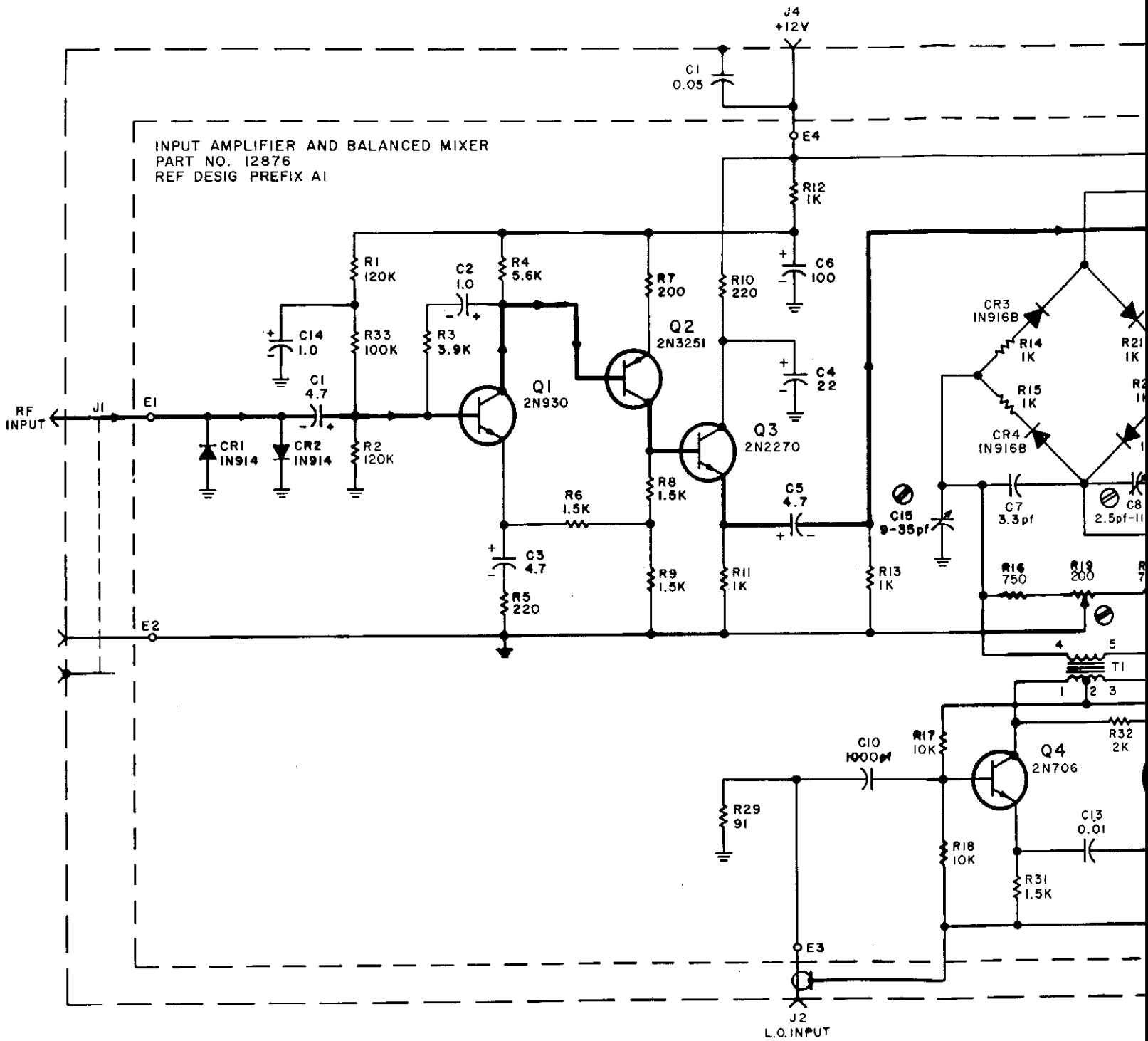


NOTES:


1. RESISTANCE IS MEASURED IN OHMS, 1/4W, 5%.
2. SWITCH S1 IS SHOWN IN EXTREME COUNTERCLOCKWISE POSITION AND VIEWED FROM END OPPOSITE CONTROL KNOB. ARROW INDICATES CLOCKWISE ROTATION OF CONTROL KNOB. SEGMENTS OF WAFER ARE IDENTIFIED BY LETTERS W & X AND ARE SHOWN IN PROPER PHYSICAL POSITION.

Figure 6-2. Type 79223 Input Attenuator, Schematic Diagram

INPUT AMPLIFIER AND BALANCED MIXER
 PART NO. 12876
 REF DESIG PREFIX A1



NOTES.

1. UNLESS OTHERWISE SPECIFIED
 - a) RESISTANCE IS MEASURED IN OHMS, $\pm 5\%$, 1/4W
 - b) CAPACITANCE IS MEASURED IN μf
2.  INDICATES SCREWDRIVER ADJUSTMENT
3. HEAVY LINE INDICATES MAIN SIGNAL PATH.

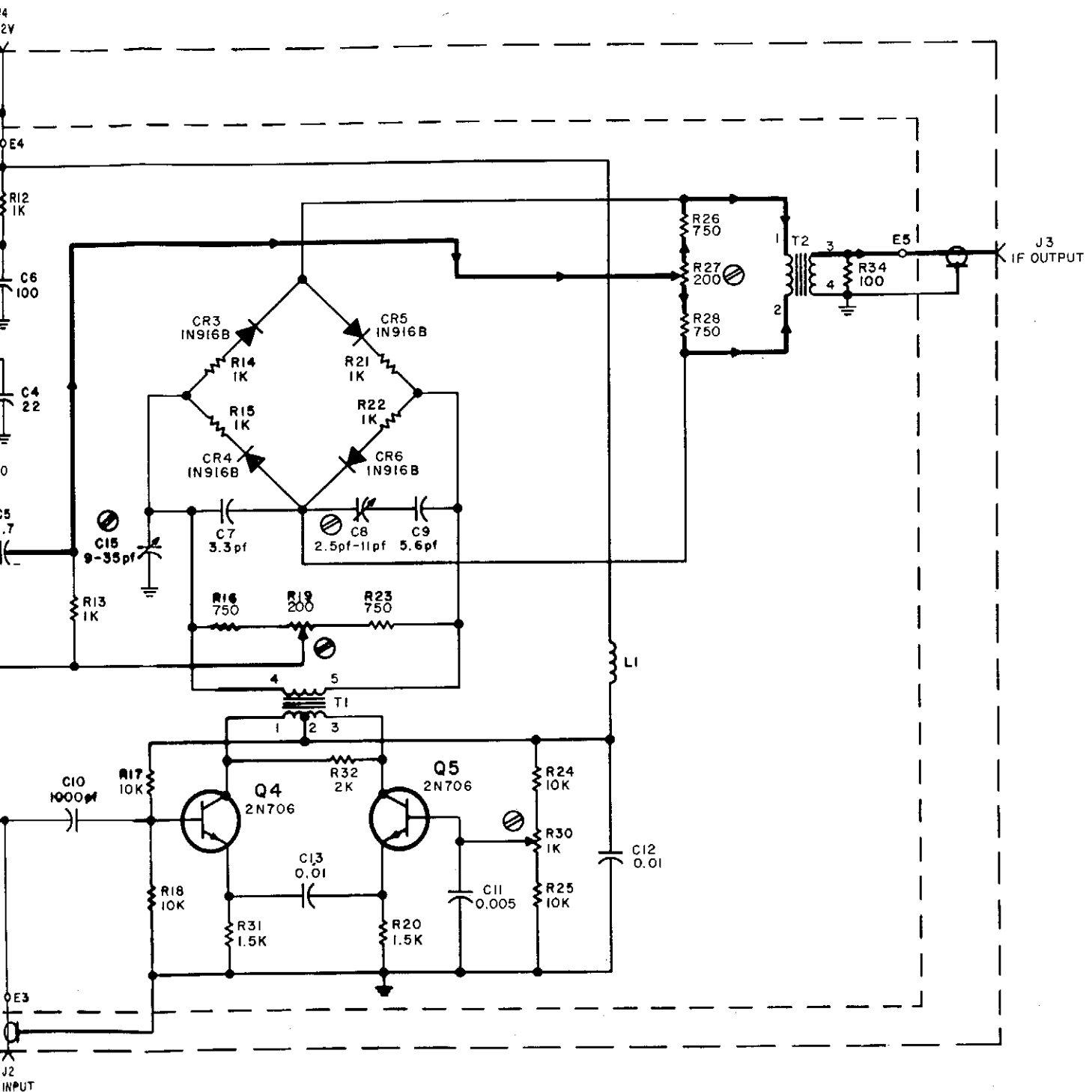
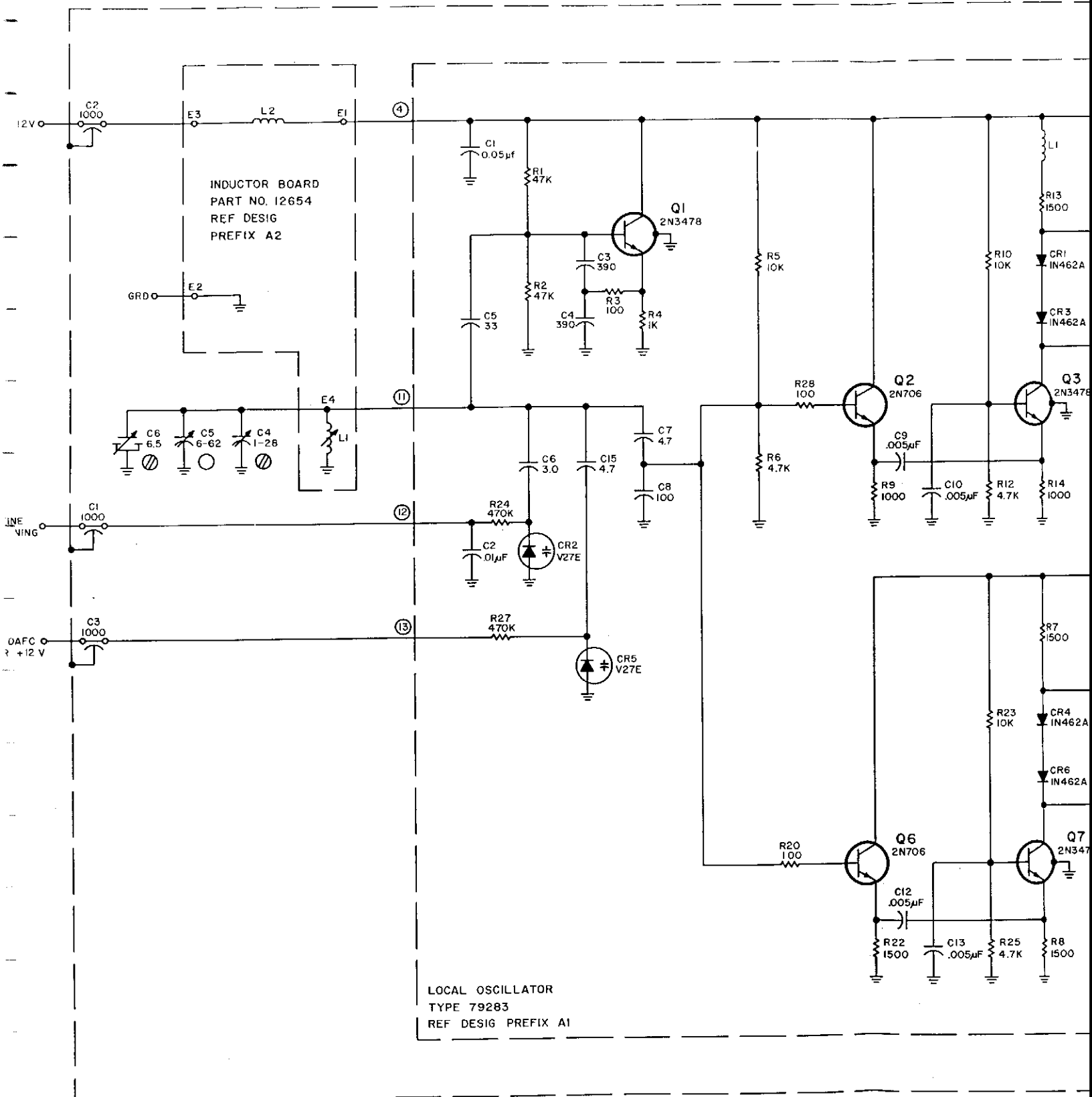
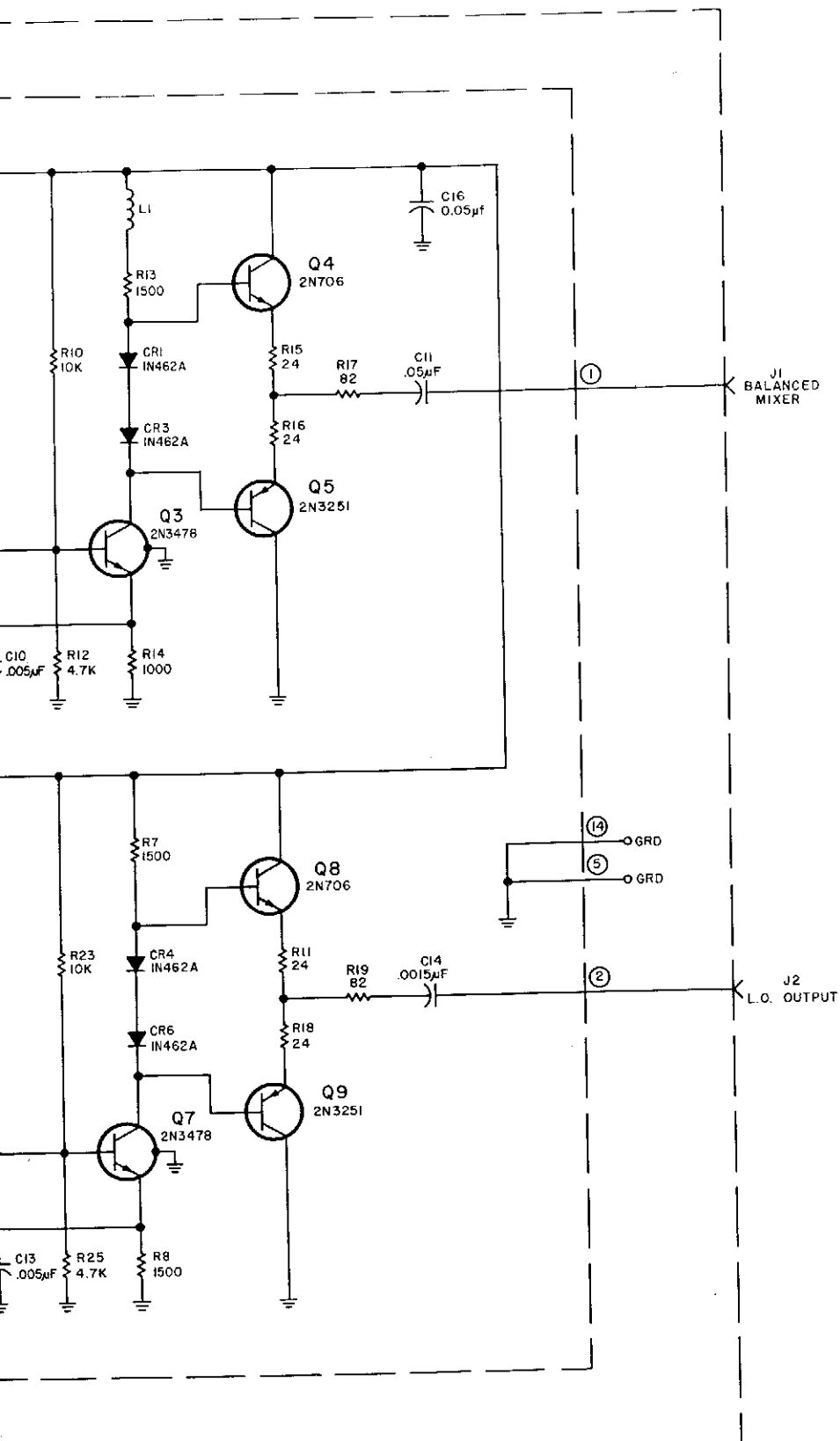


Figure 6-3. Type 7922 Input Amplifier and Balanced Mixer, Schematic Diagram

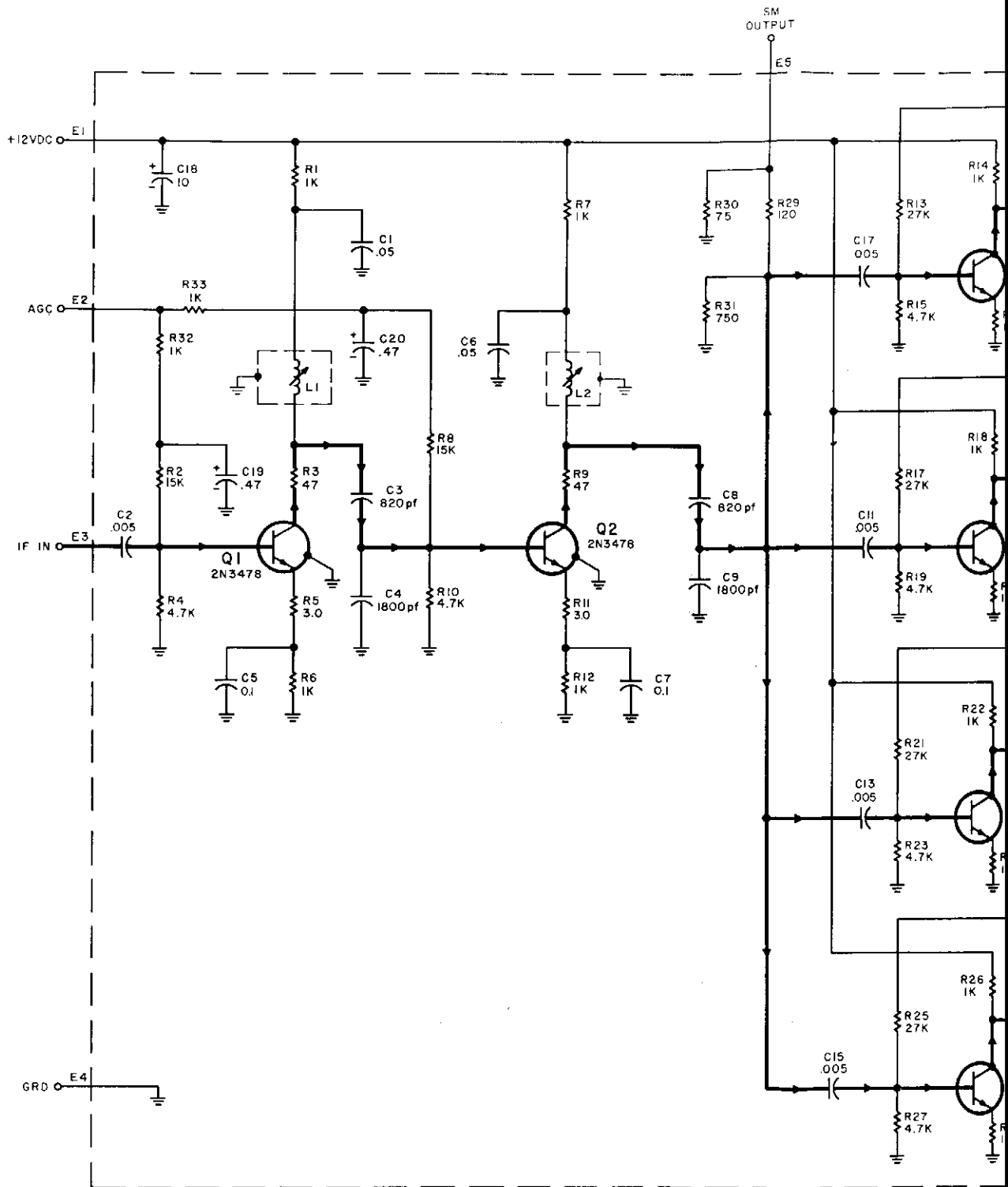




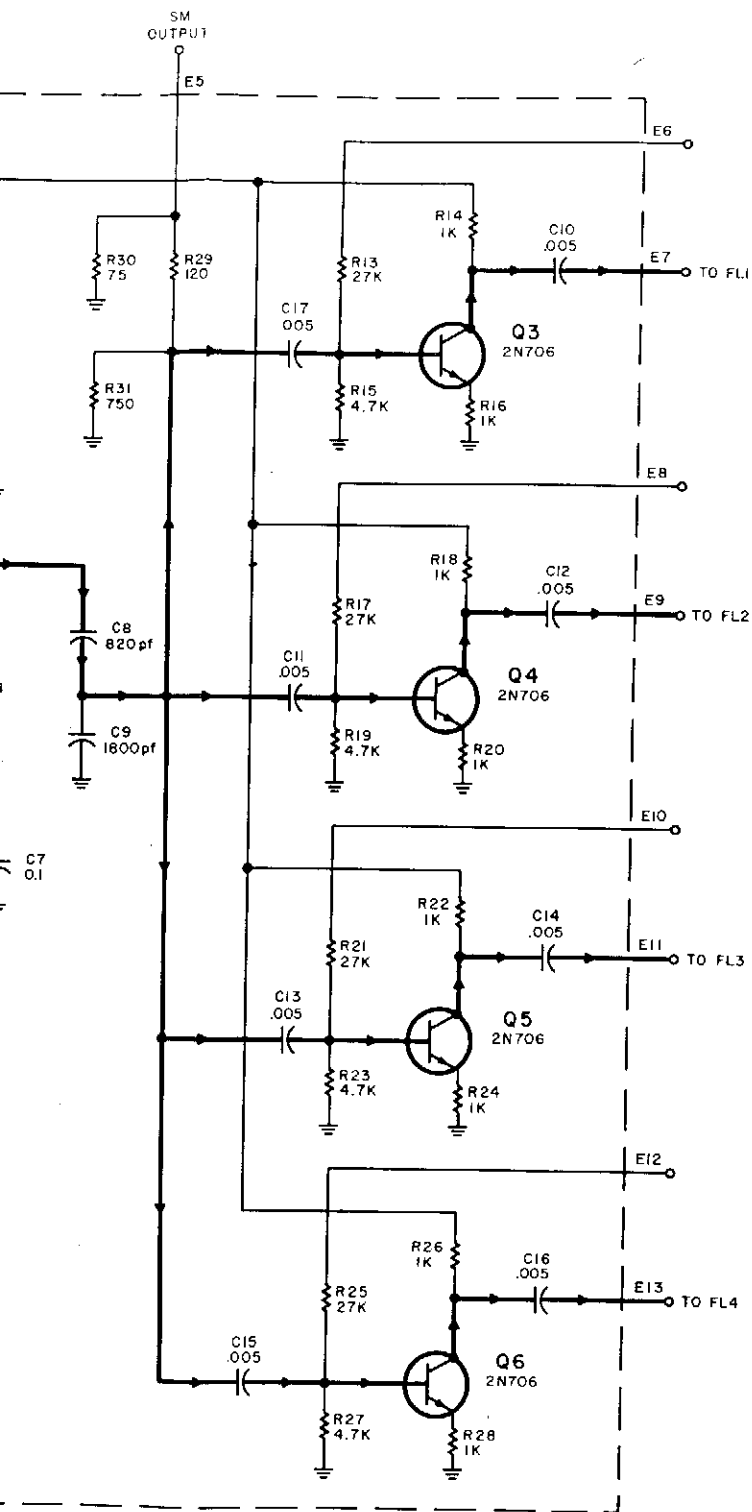
NOTES:

1. UNLESS OTHERWISE SPECIFIED
 A. RESISTANCE IS MEASURED IN OHMS, ±5%, 1/4W.
 B. CAPACITANCE IS MEASURED IN pF.
2. ○ INDICATES FRONT PANEL CONTROL
 ⊘ INDICATES SCREWDRIVER ADJUSTMENT
3. ENCIRCLED NUMBERS ARE MODULE PIN NUMBERS.
4. TYPE NUMBERS ARE IDENTICAL ELECTRICALLY, BUT DIFFERENT MECHANICAL.
5. TYPE 7727 USED ON 357 & 351A, TYPE 7740 USED ON 354-1, 355 & 354 (S-1-26, 28, 29, 31 & UP), TYPE 7741 USED ON 355-1. ALL ARE A4A1.

Figure 6-4. Type 7727 Local Oscillator Assembly Schematic Diagram

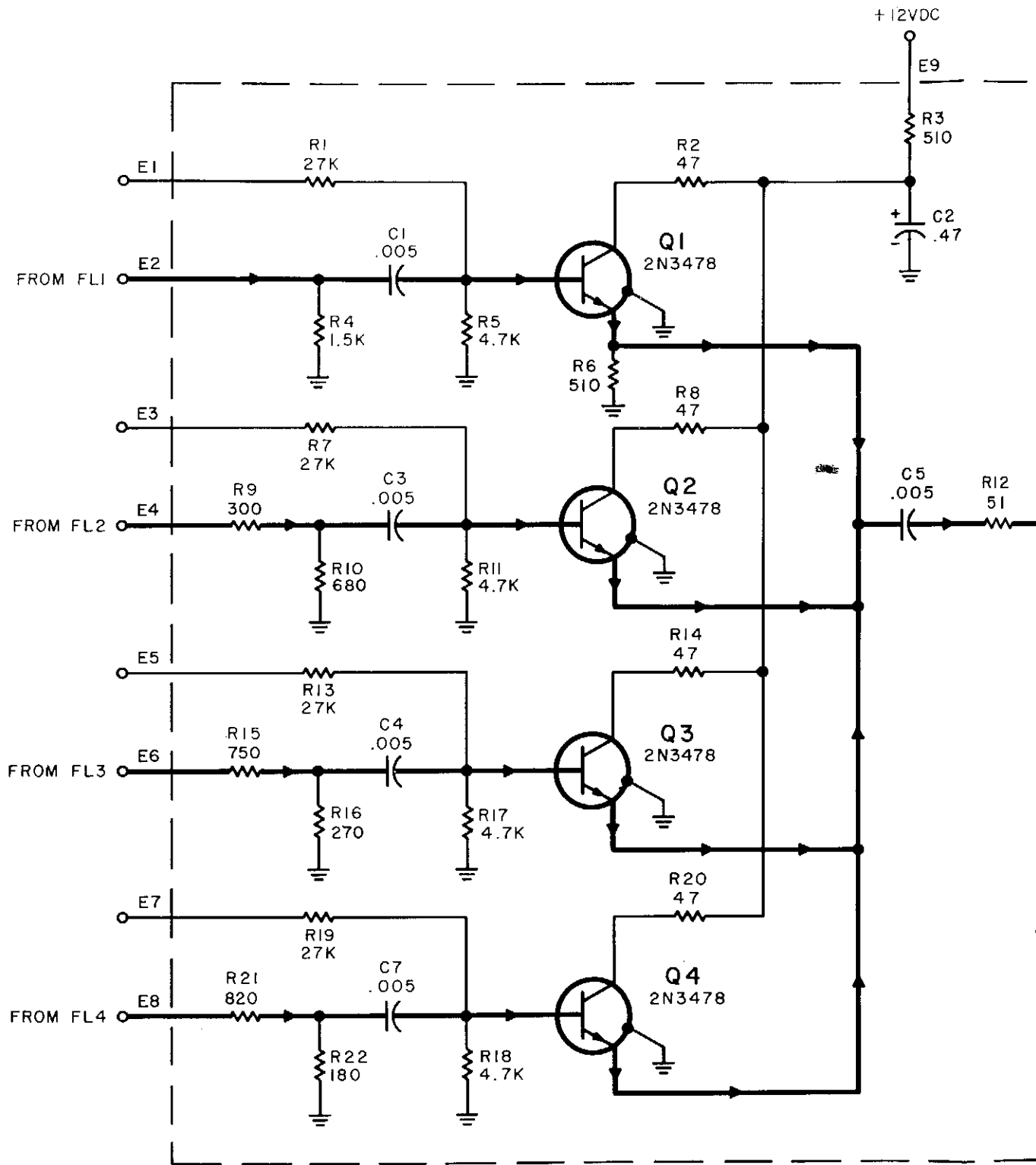


REF DESIG PREFIX ASA1

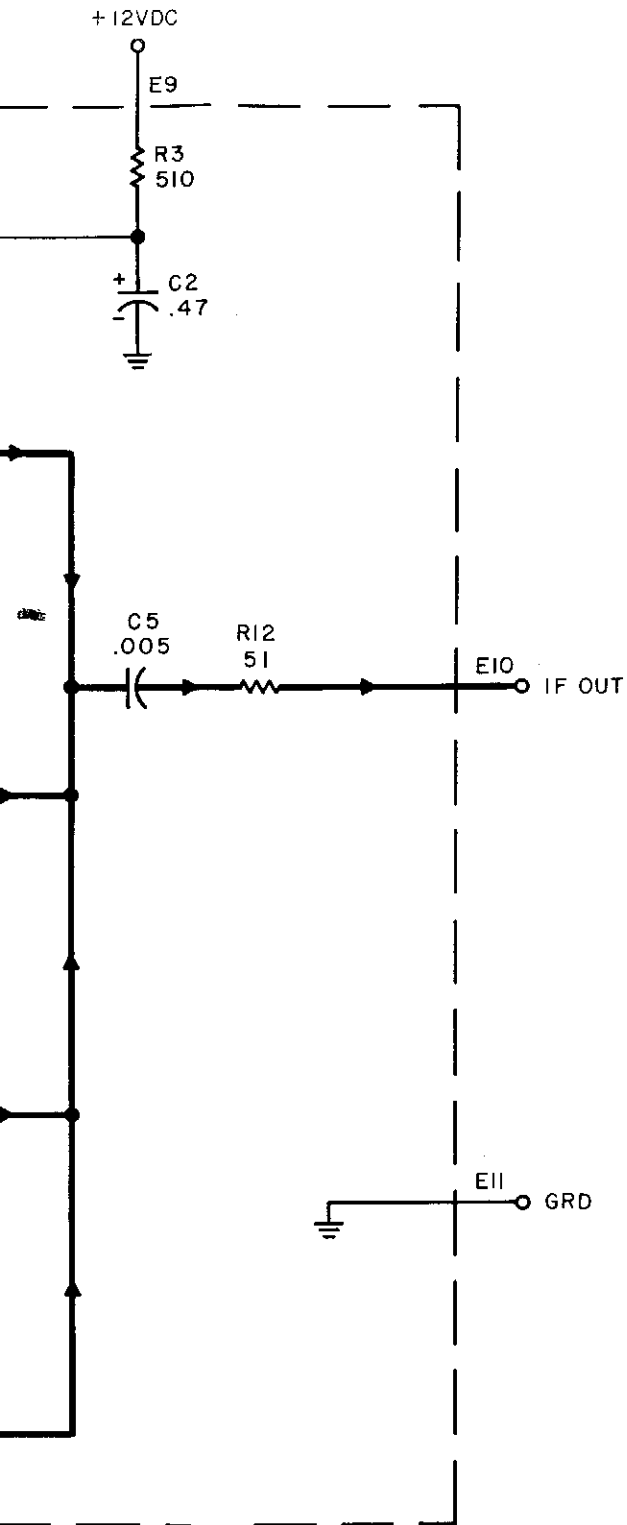


NOTES:
 1. UNLESS OTHERWISE SPECIFIED:
 a) RESISTANCE IS MEASURED IN OHMS, $\pm 5\%$, 1/4W
 b) CAPACITANCE IS MEASURED IN μ t.
 2. HEAVY LINE INDICATES MAIN SIGNAL PATH.

Figure 6-5. Part 12868 IF BW Switching Amplifier "A", Schematic Diagram



REF DESIG PREFIX A5A2



NOTES:

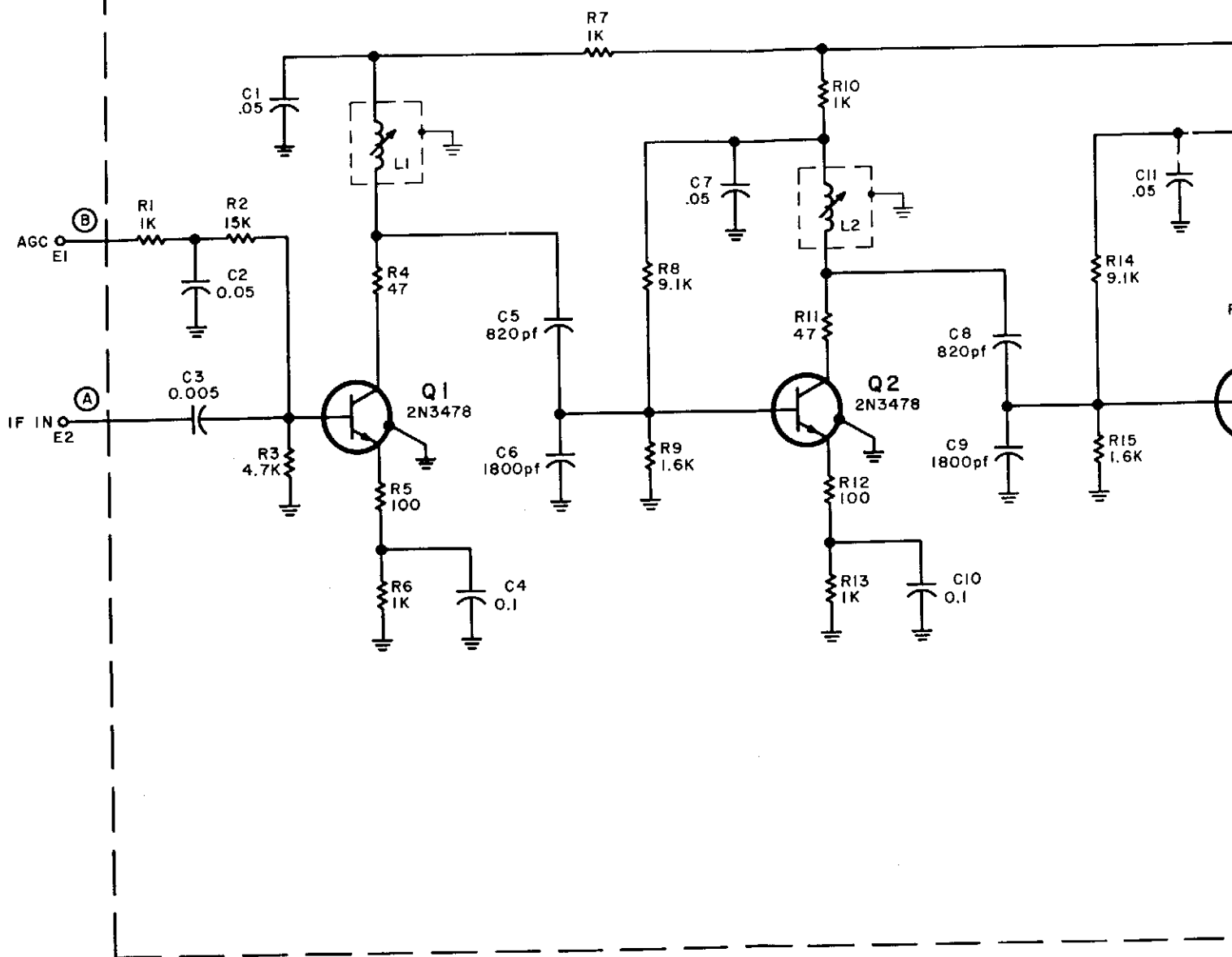
1. UNLESS OTHERWISE SPECIFIED:

a) RESISTANCE IS MEASURED IN OHMS, $\pm 5\%$, 1/4W

b) CAPACITANCE IS MEASURED IN μf

2. HEAVY LINE INDICATES MAIN SIGNAL PATH.

Figure 6-6. Part 12865 IF BW Switching Amplifier "B", Schematic Diagram



NOTES:

1. UNLESS OTHERWISE SPECIFIED:
 - a) RESISTANCE IS MEASURED IN OHMS, $\pm 5\%$, 1/4W
 - b) CAPACITANCE IS MEASURED IN μf
2. ENCIRCLED LETTERS ARE FOR REFERENCE ONLY

REF DESIG PREFIX A5A3

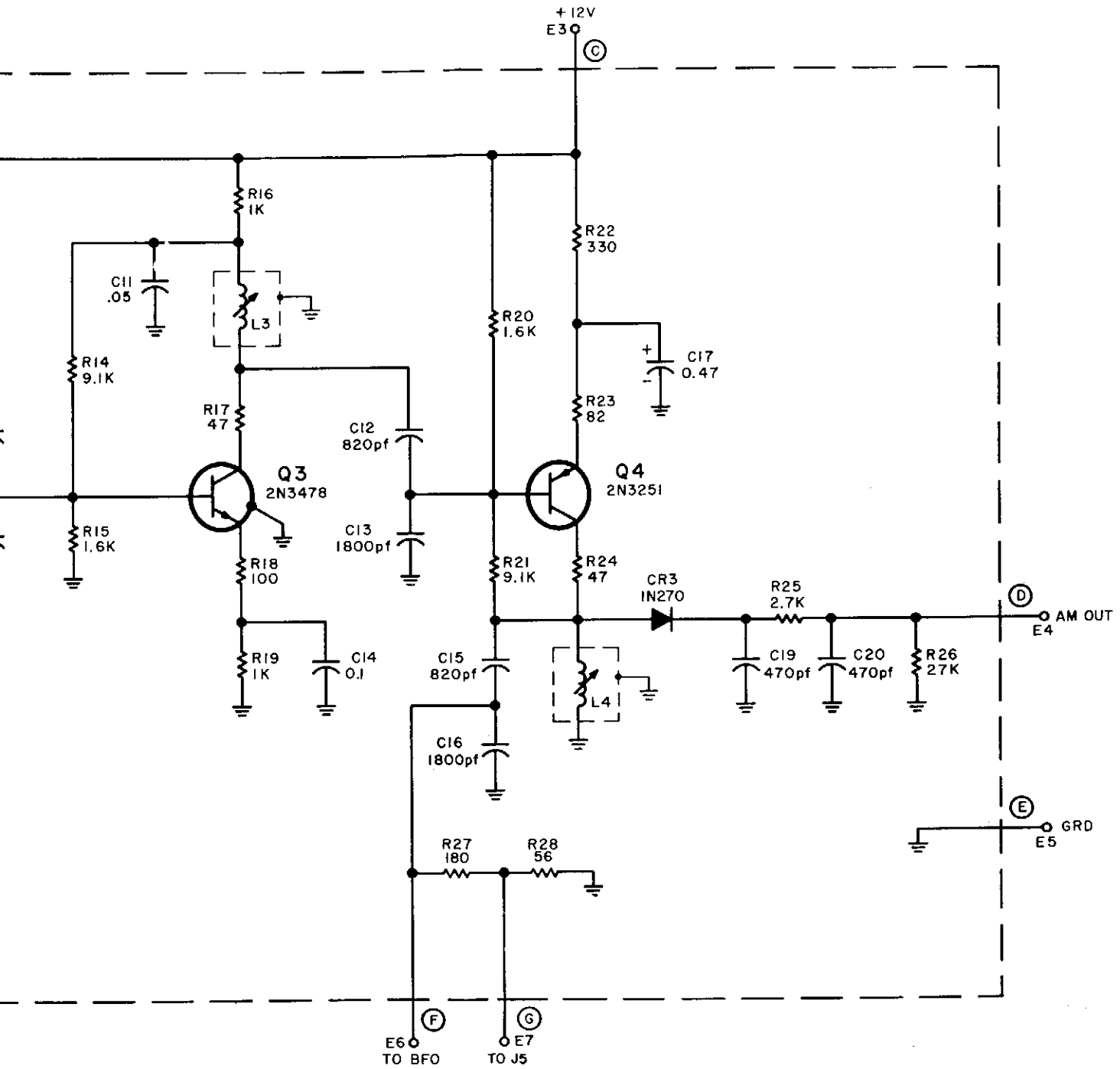
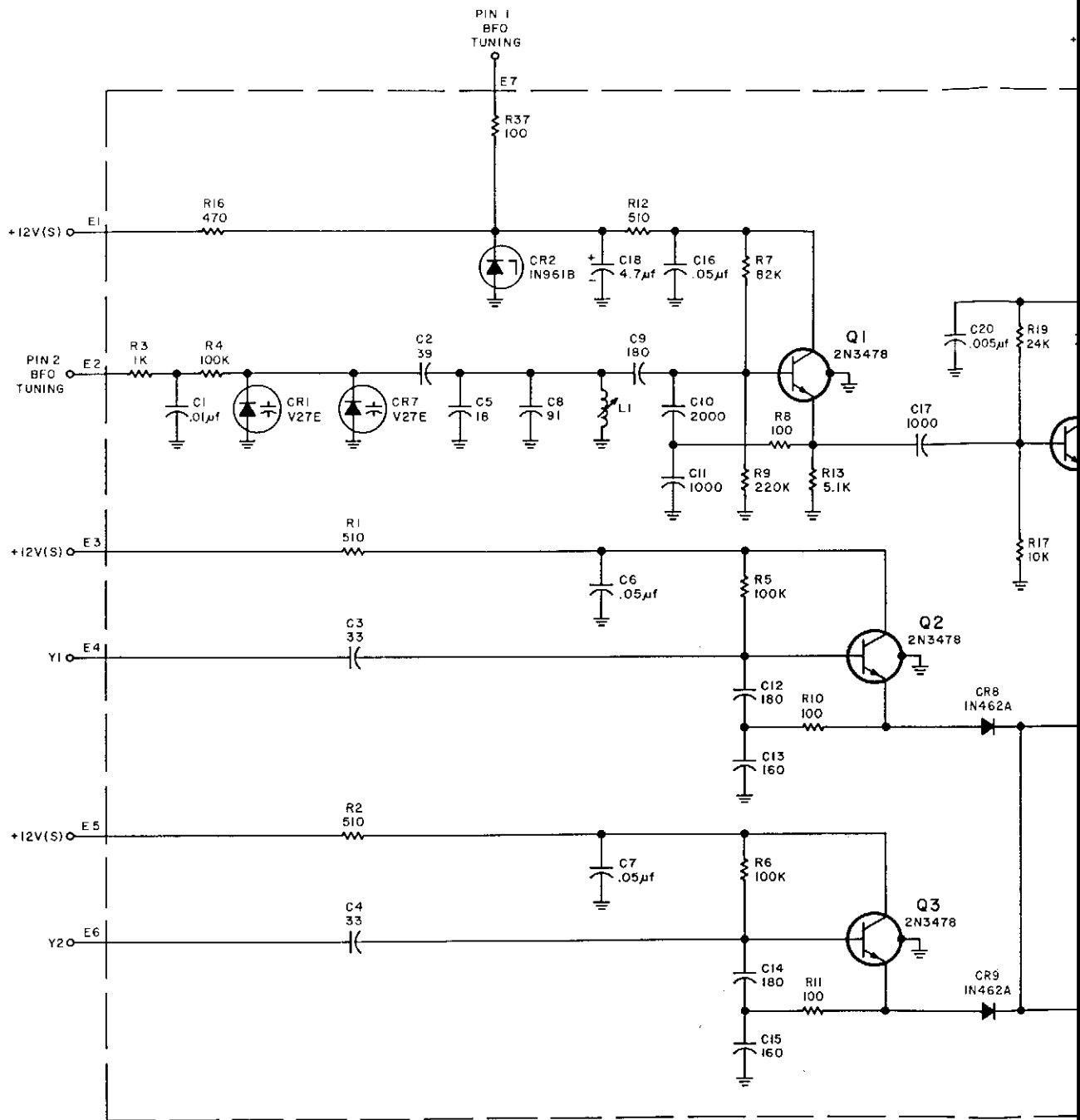


Figure 6-7. Part 11937 IF Amplifier and AM Detector, Schematic Diagram



NOTES:

1. UNLESS OTHERWISE SPECIFIED:
 - a) RESISTANCE IS MEASURED IN OHMS, ±5%, 1/4W.
 - b) CAPACITANCE IS MEASURED IN pf.
2. ENCIRCLED LETTERS ARE FOR REFERENCE ONLY
3. Ⓢ INDICATES SCREWDRIVER ADJUSTMENT.

REF DESIG PREFIX A5A4

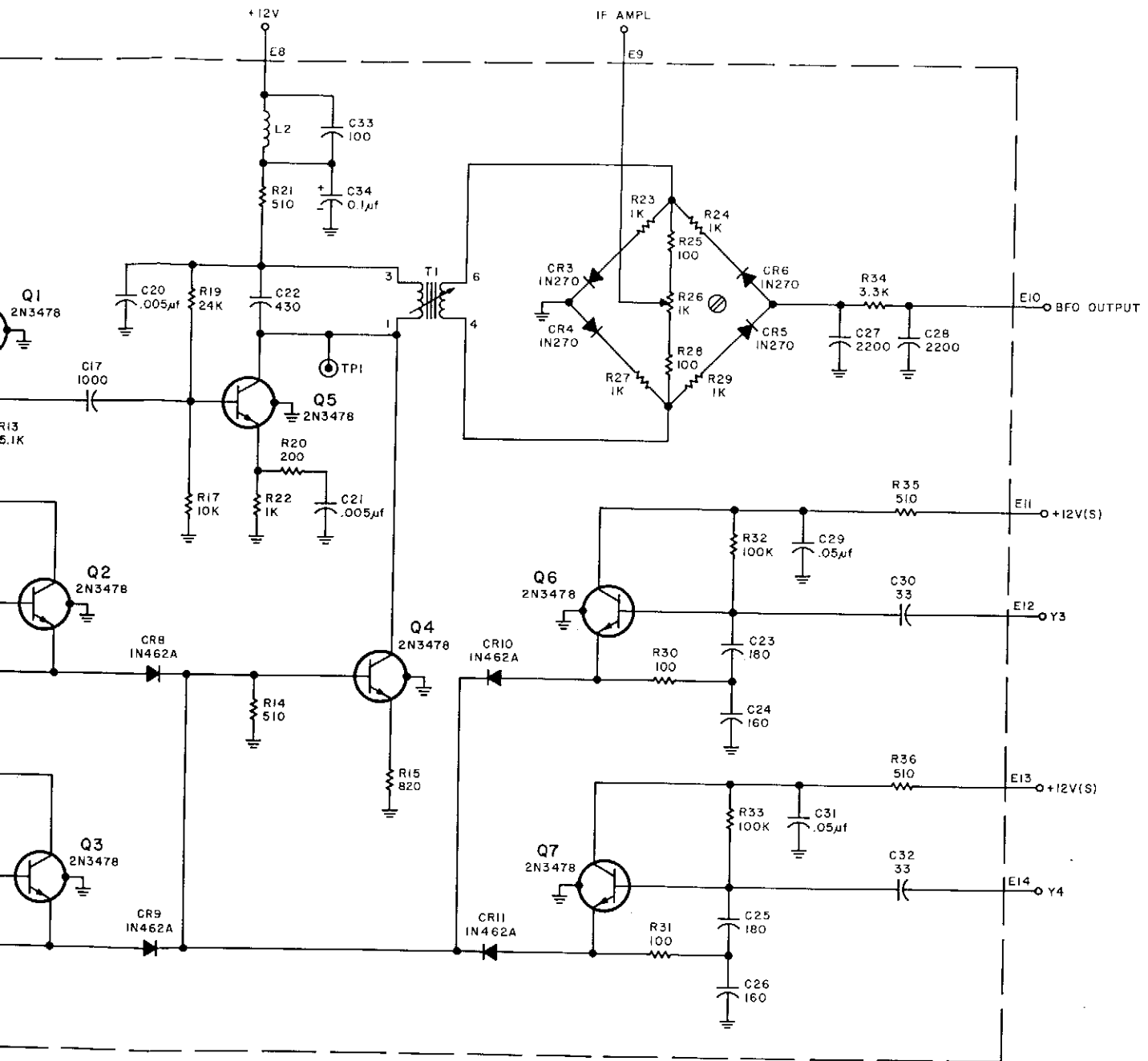
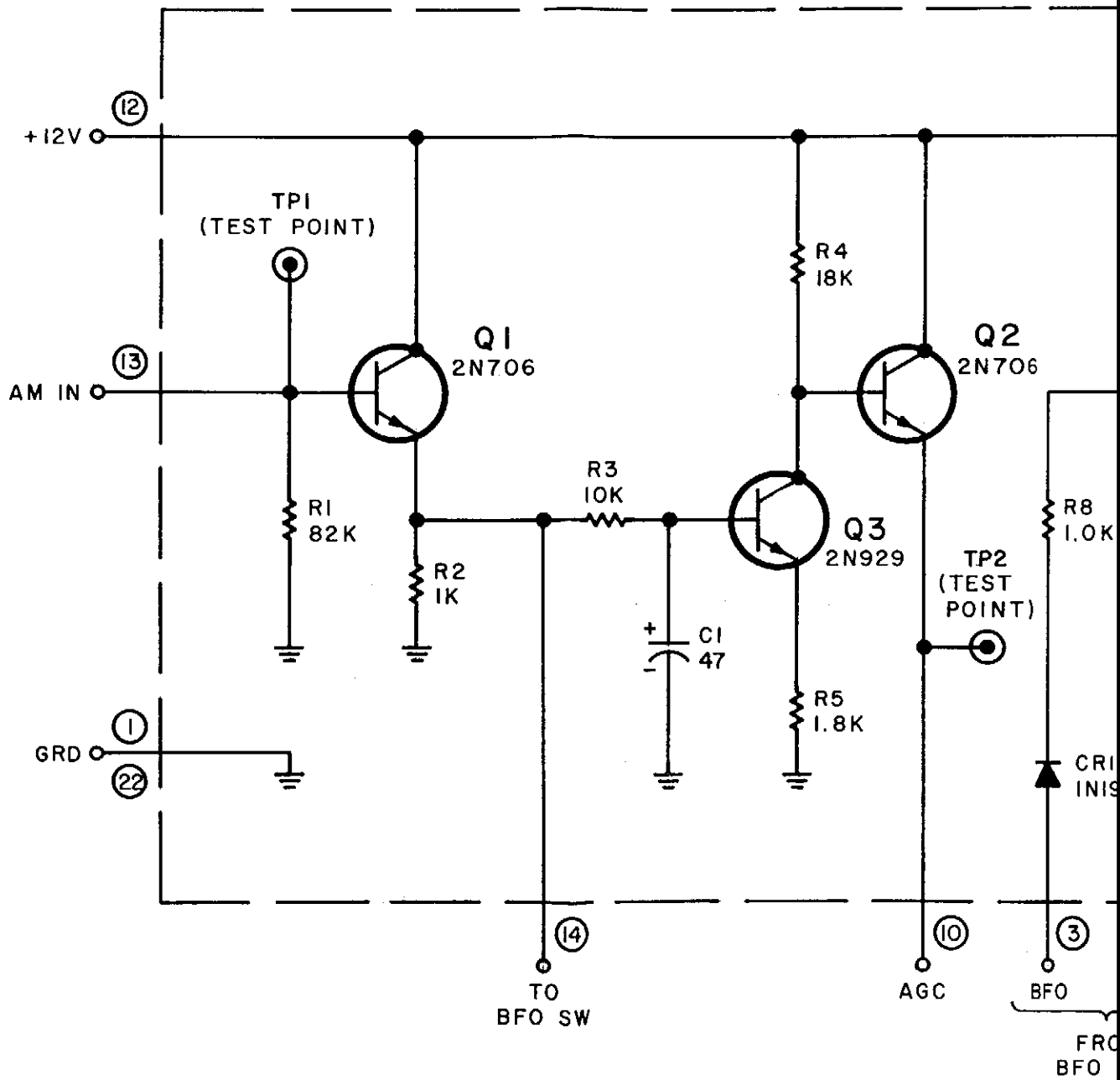
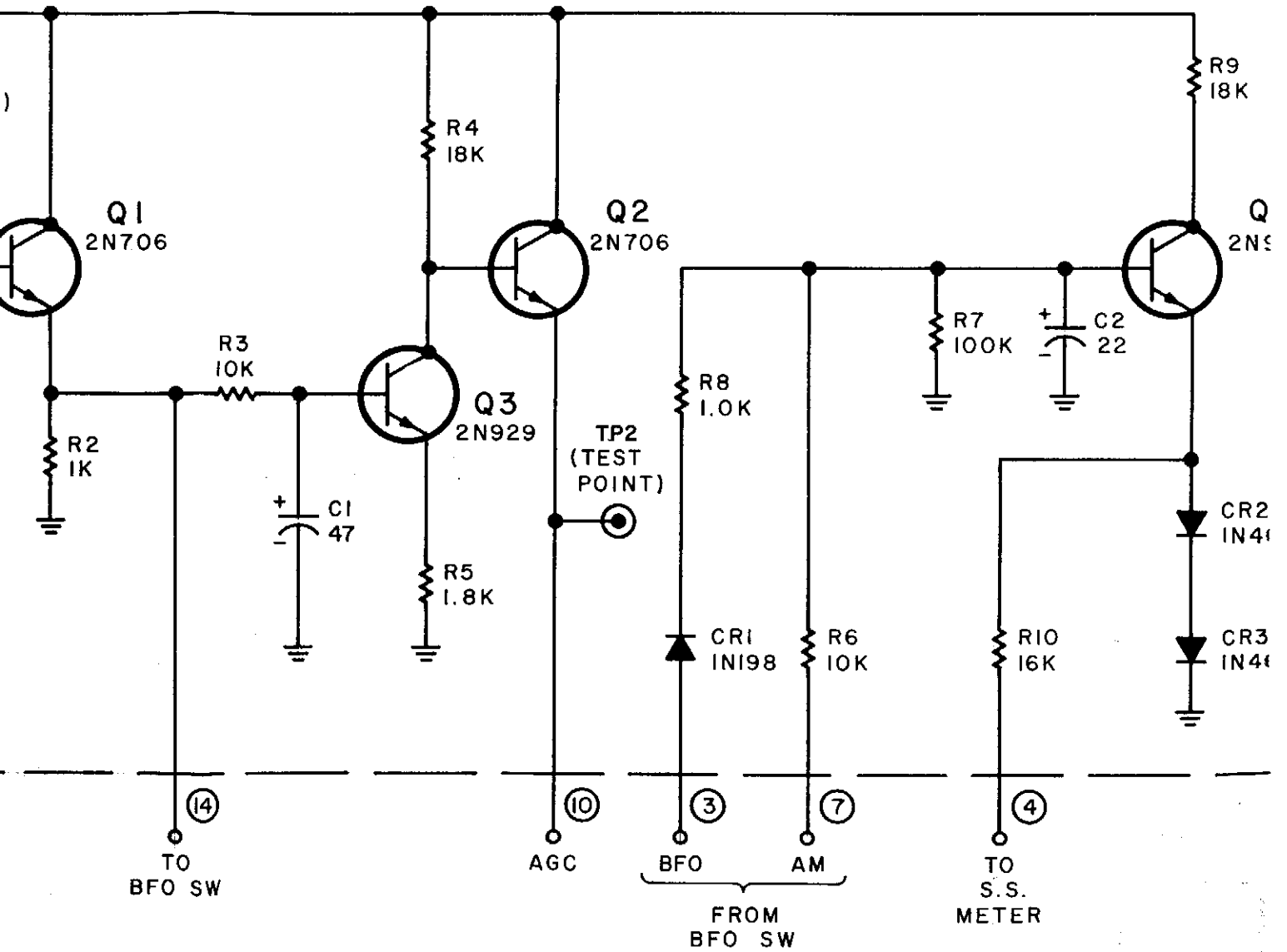
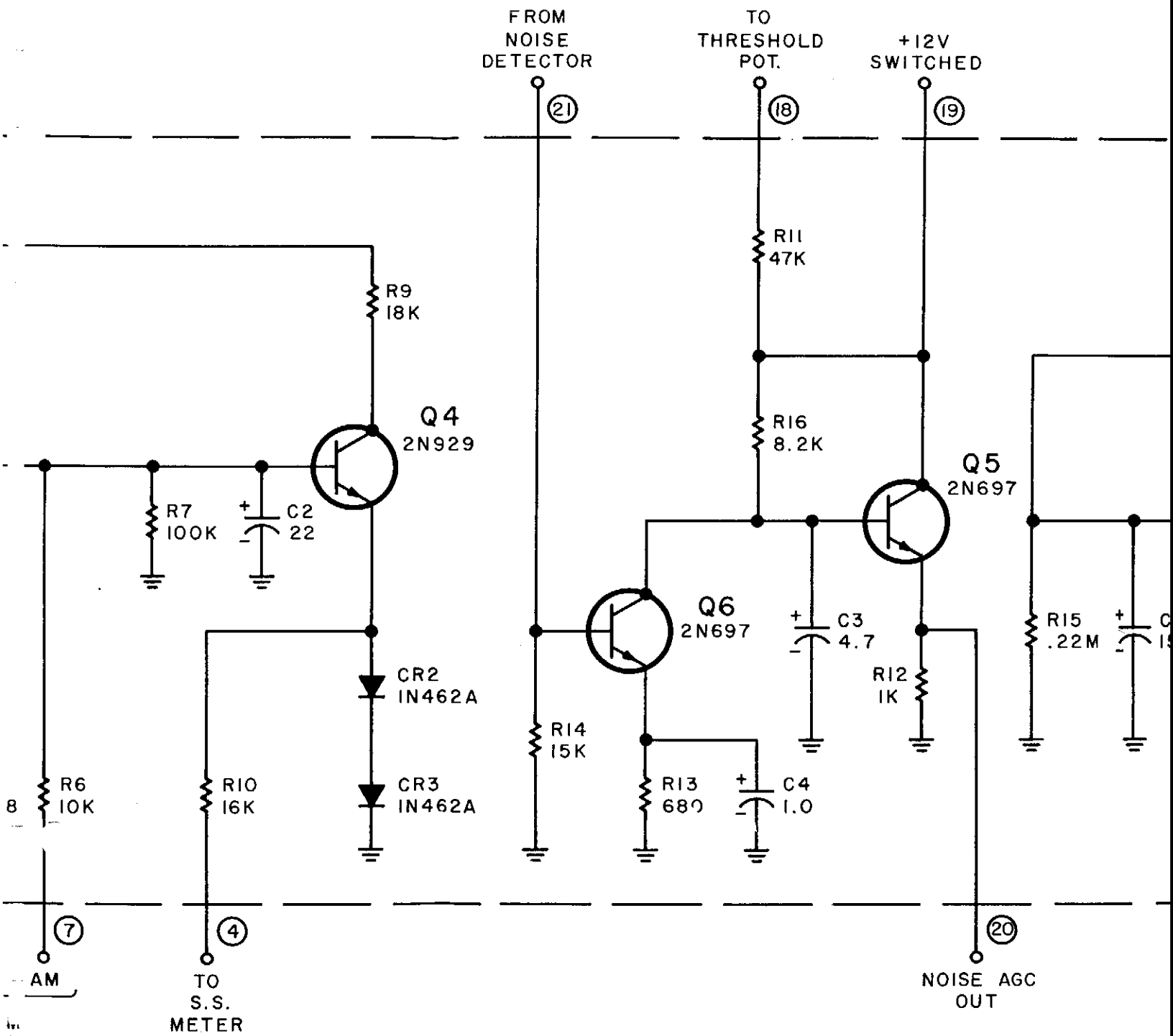


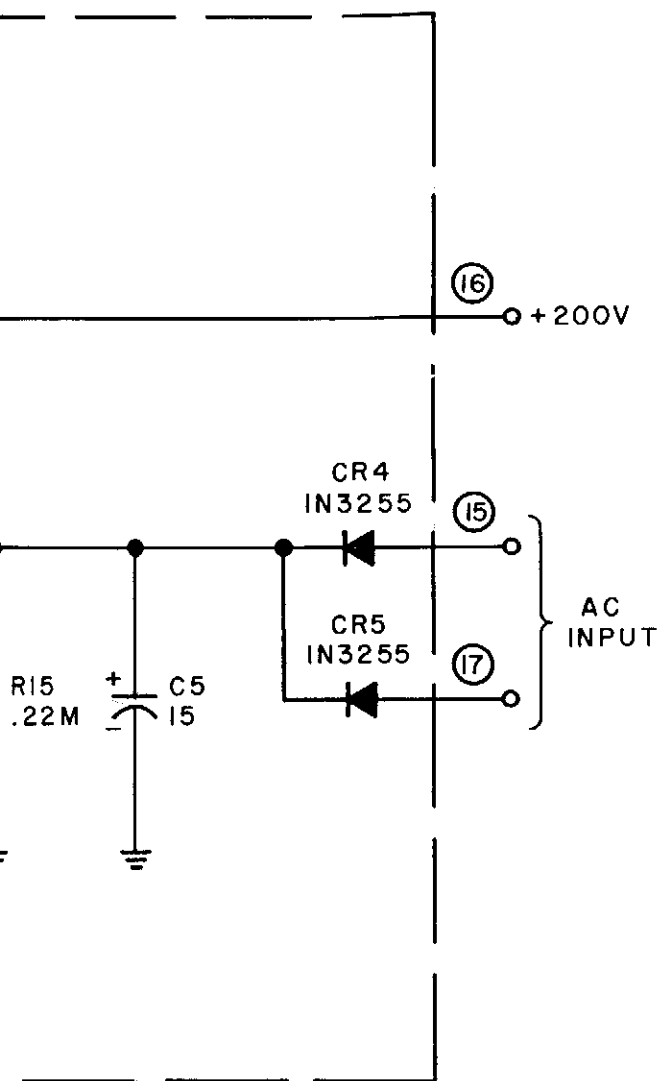
Figure 6-8. Part 12879 BFO and Product Detector, Schematic Diagram







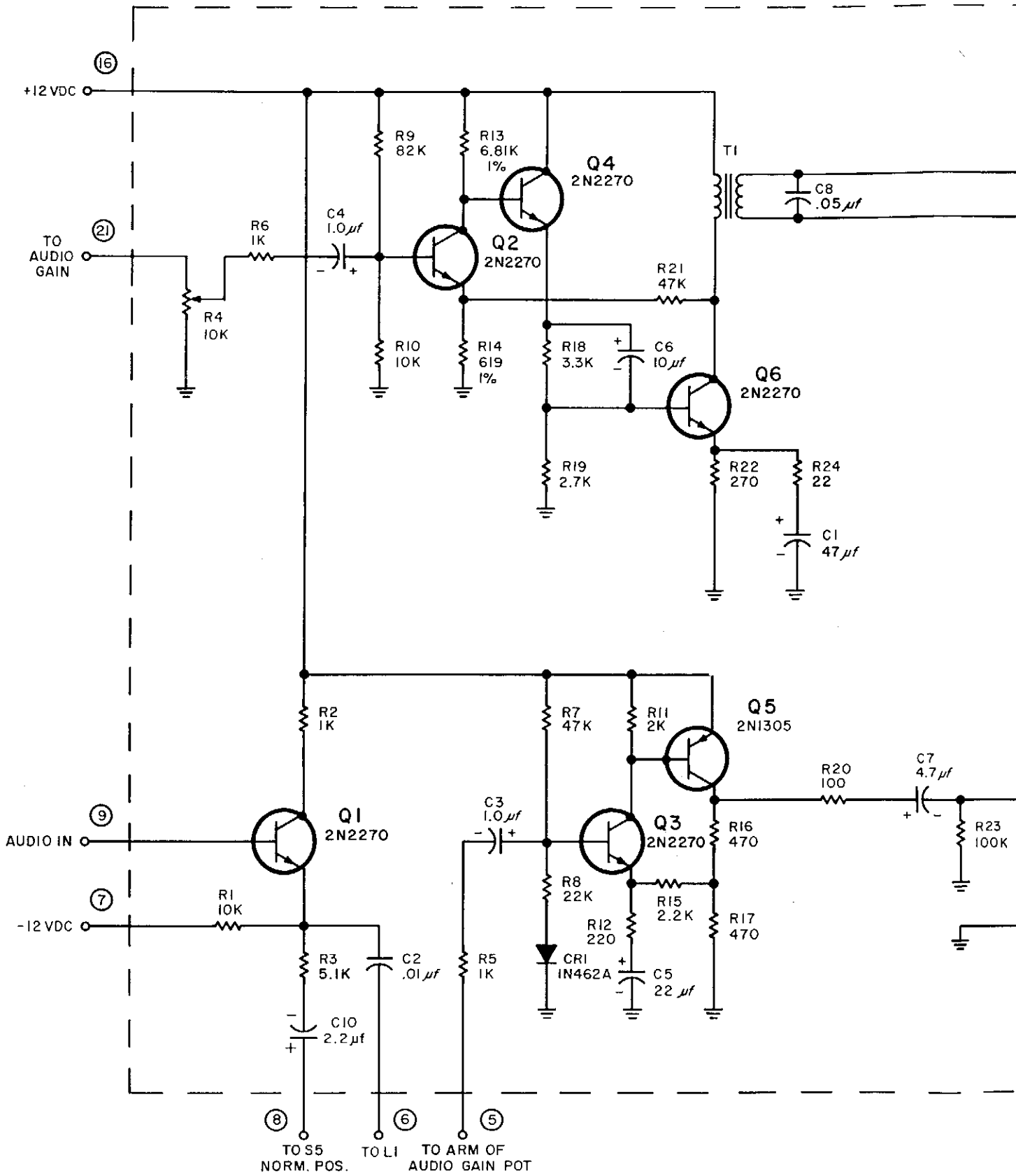
REF DESIG PREFIX A6



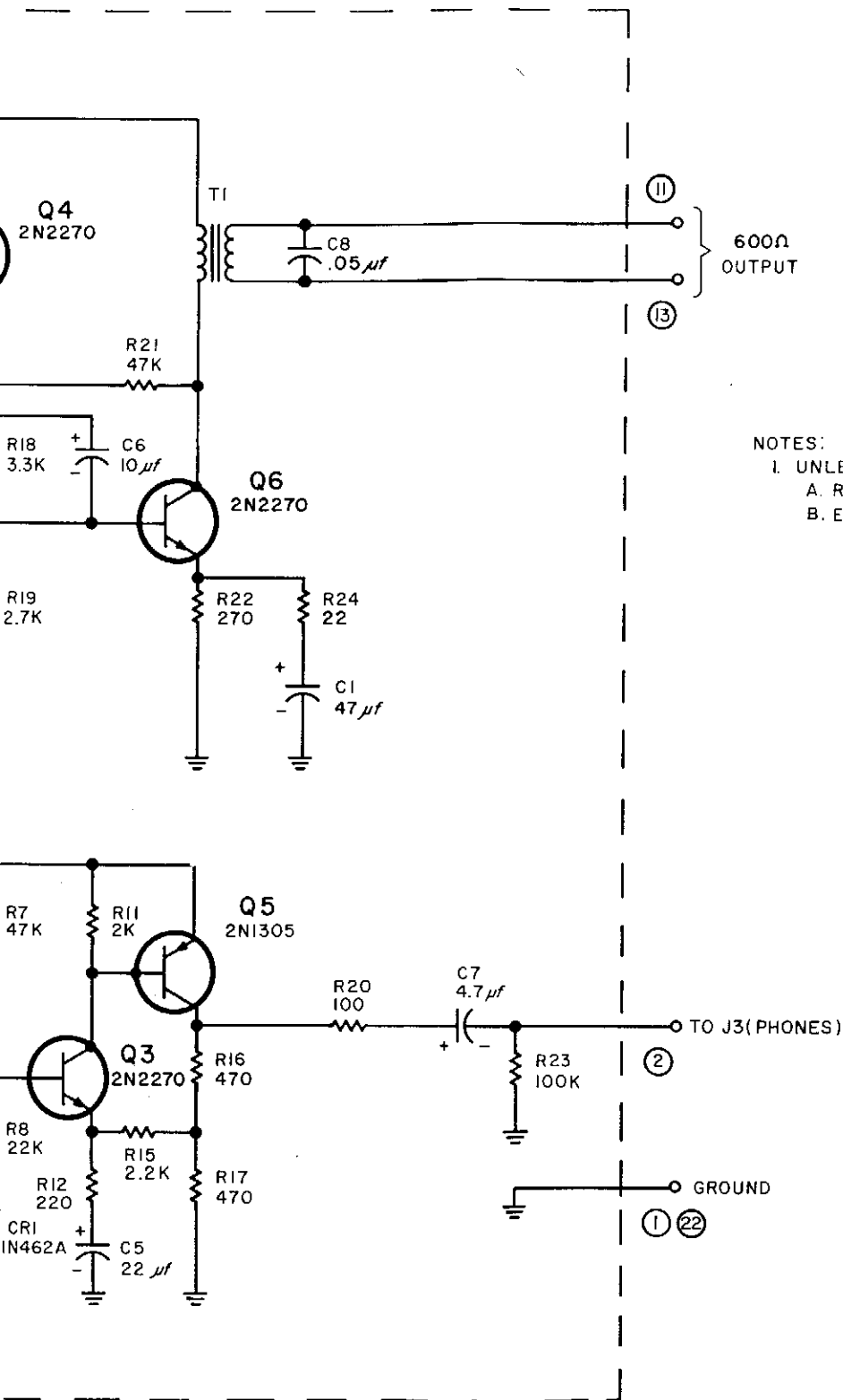
NOTES:

1. UNLESS OTHERWISE SPECIFIED:
 - a) RESISTANCE IS MEASURED IN OHMS, *5%, 1/4W.
 - b) CAPACITANCE IS MEASURED IN μ F.
2. ENCIRCLED NUMBERS ARE MODULE PIN NUMBERS.

Figure 6-9. Type 79219/1 AGC Amplifier/Power Supply, Schematic Diagram



REF DESIG PREFIX A7

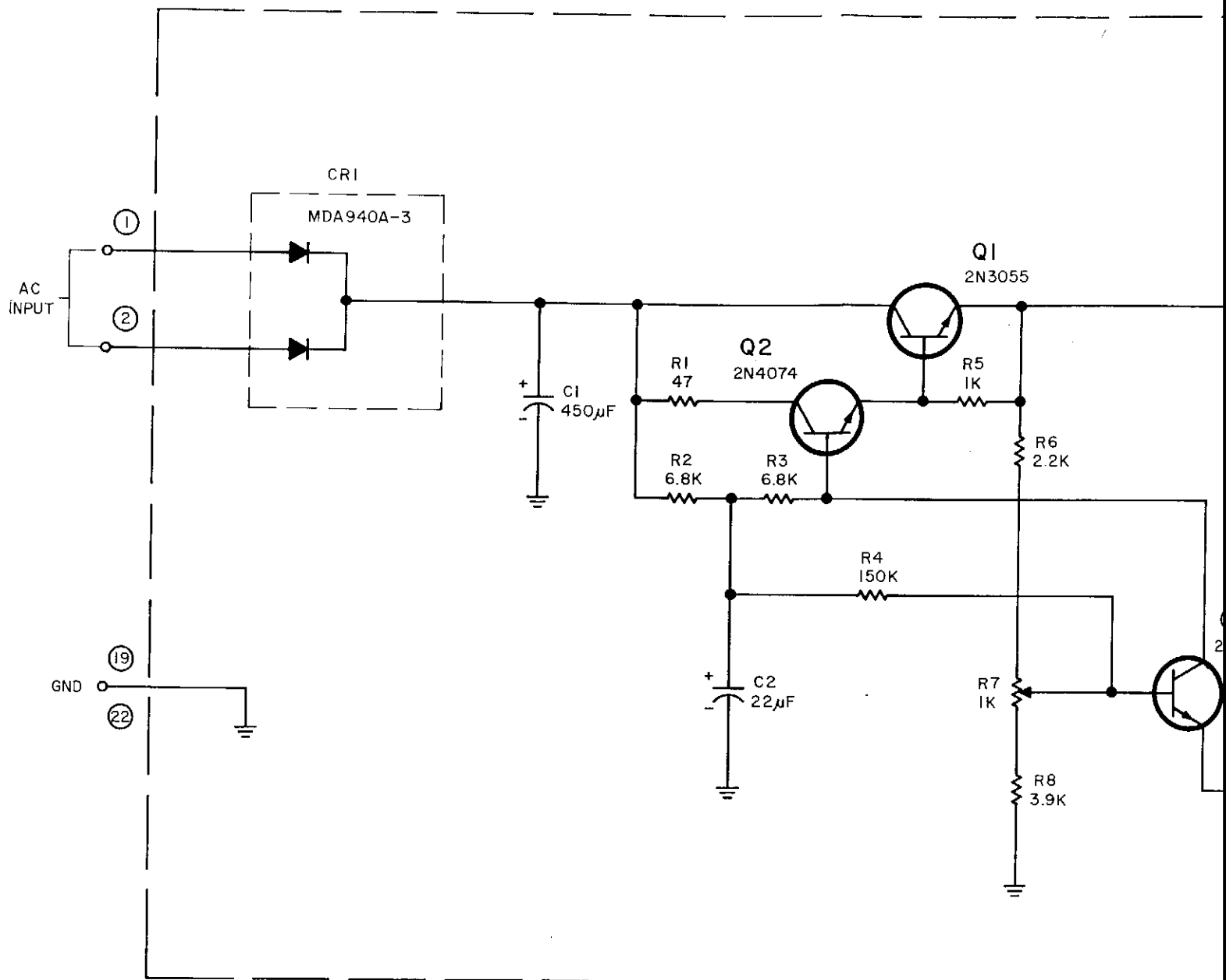


NOTES:

I. UNLESS OTHERWISE SPECIFIED:

- A. RESISTANCE IS MEASURED IN OHMS, 1/4W, 5%
- B. ENCIRCLED NUMBERS ARE MODULE PIN NUMBERS.

Figure 6-10. Type 7411 Audio Amplifier, Schematic Diagram



NOTES:

1. UNLESS OTHERWISE SPECIFIED:
RESISTANCE IS MEASURED OHMS, ±5%, 1/4 W
2. ENCIRCLED NUMBERS ARE MODULE PIN NUMBERS

REF DESIG PREFIX A8

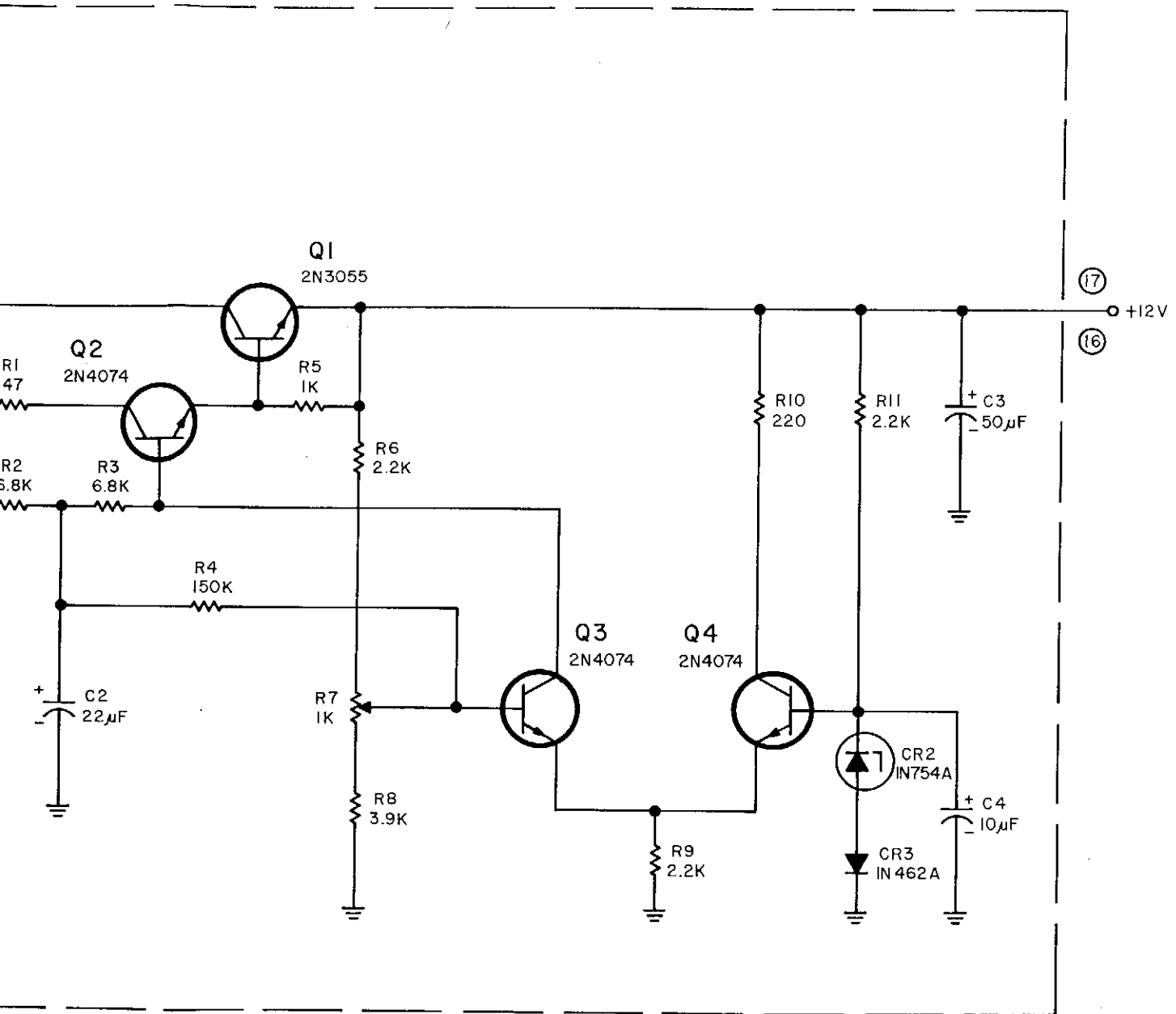
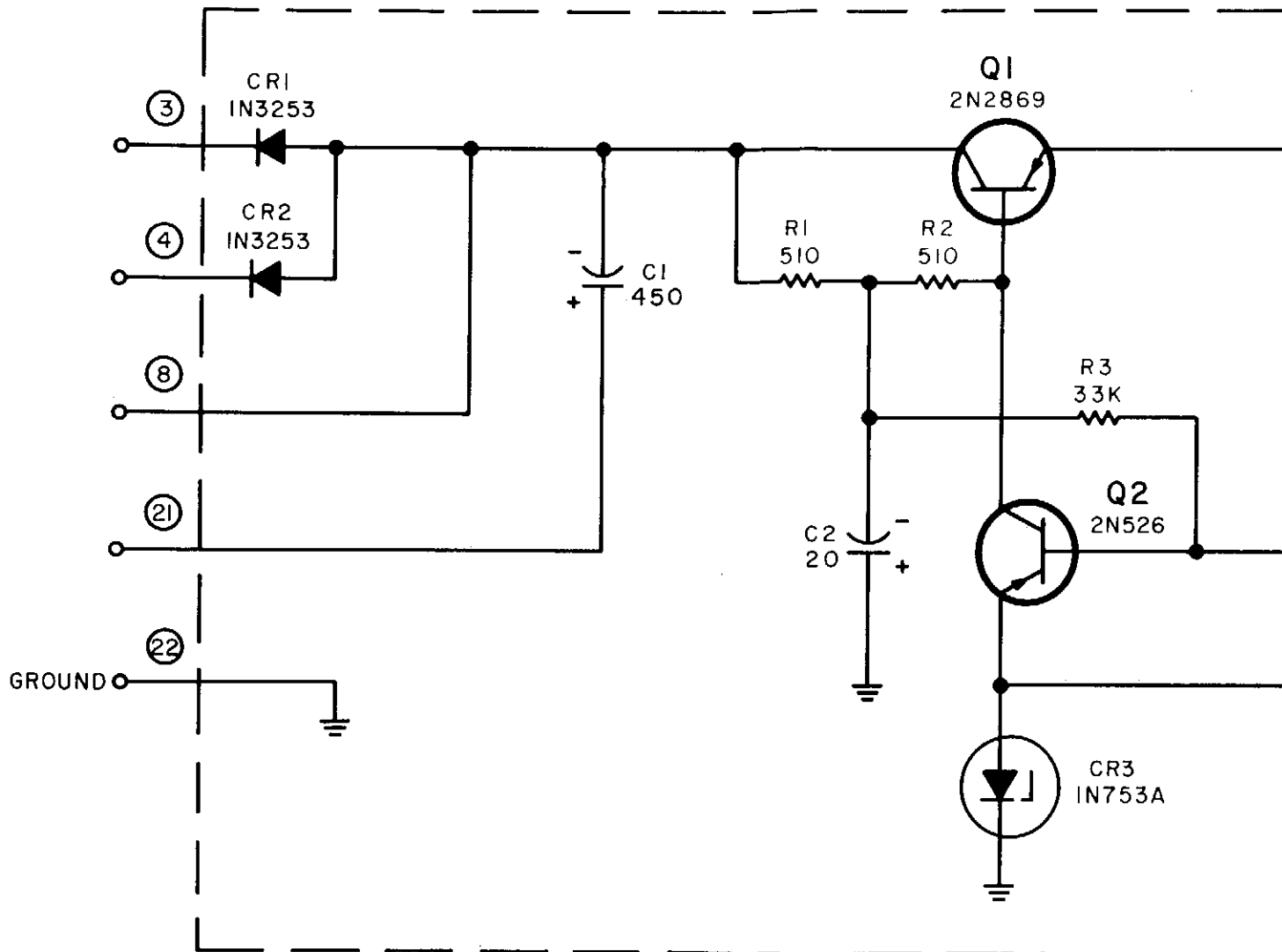


Figure 6-11. Type 76133 +12V Regulated Power Supply, Schematic Diagram



NOTES :

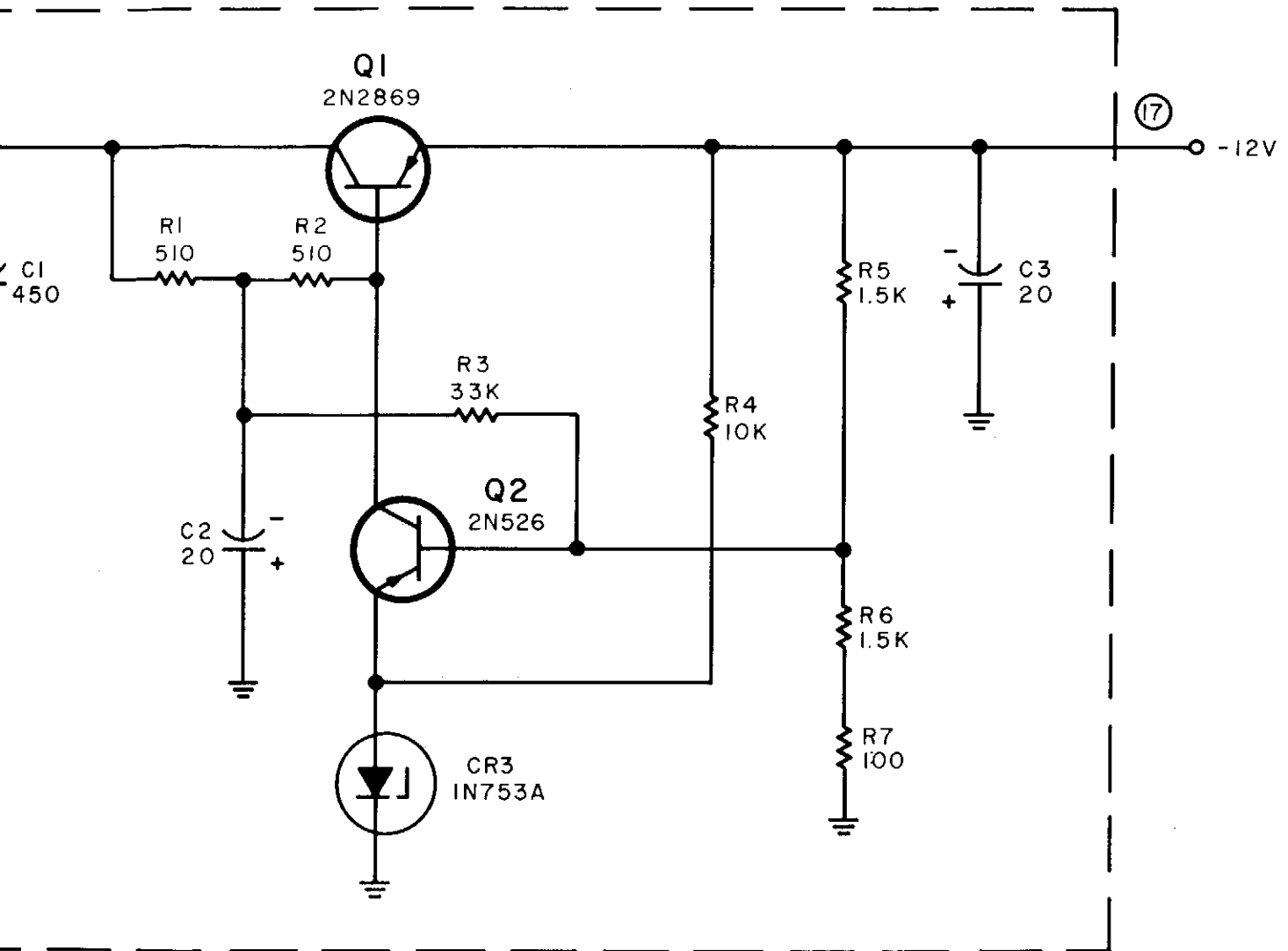
1. UNLESS OTHERWISE SPECIFIED:

a) RESISTANCE IS MEASURED IN OHMS, $\pm 5\%$, 1/4 W

b) CAPACITANCE IS MEASURED IN μf

2. ENCIRCLED NUMBERS ARE MODULE PIN NUMBERS

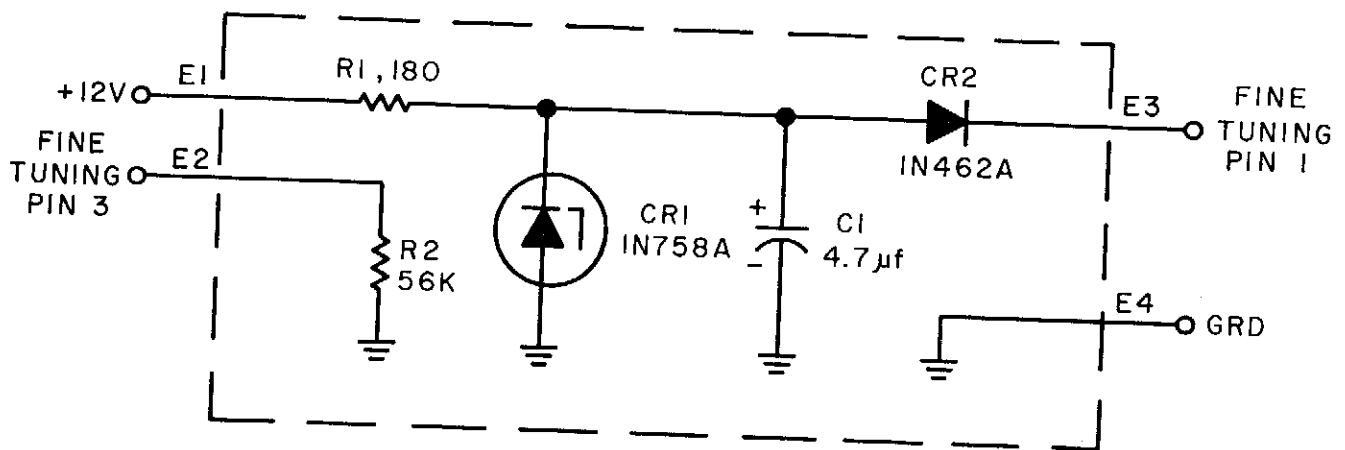
REF DESIG PREFIX A9



RESISTORS:
RESISTED IN OHMS, $\pm 5\%$, 1/4 W
CAPACITORS:
RESISTED IN μf
PIN NUMBERS

Figure 6-12. Type 7680 -12V Regulated Power Supply, Schematic Diagram

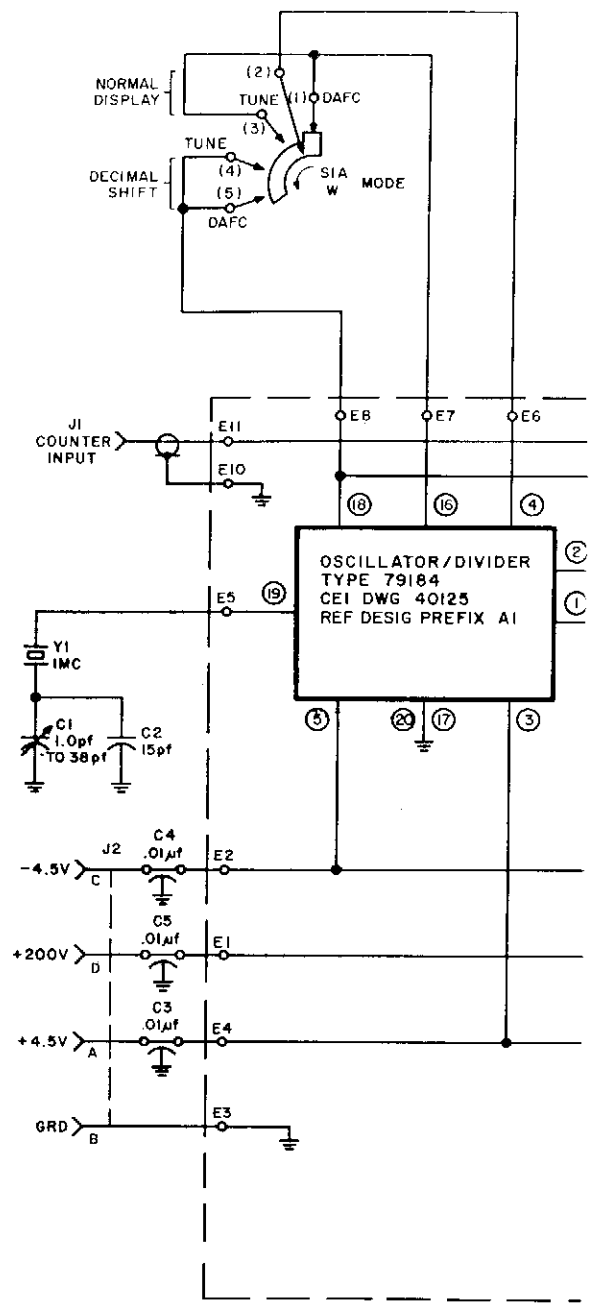
REF DESIG PREFIX A10



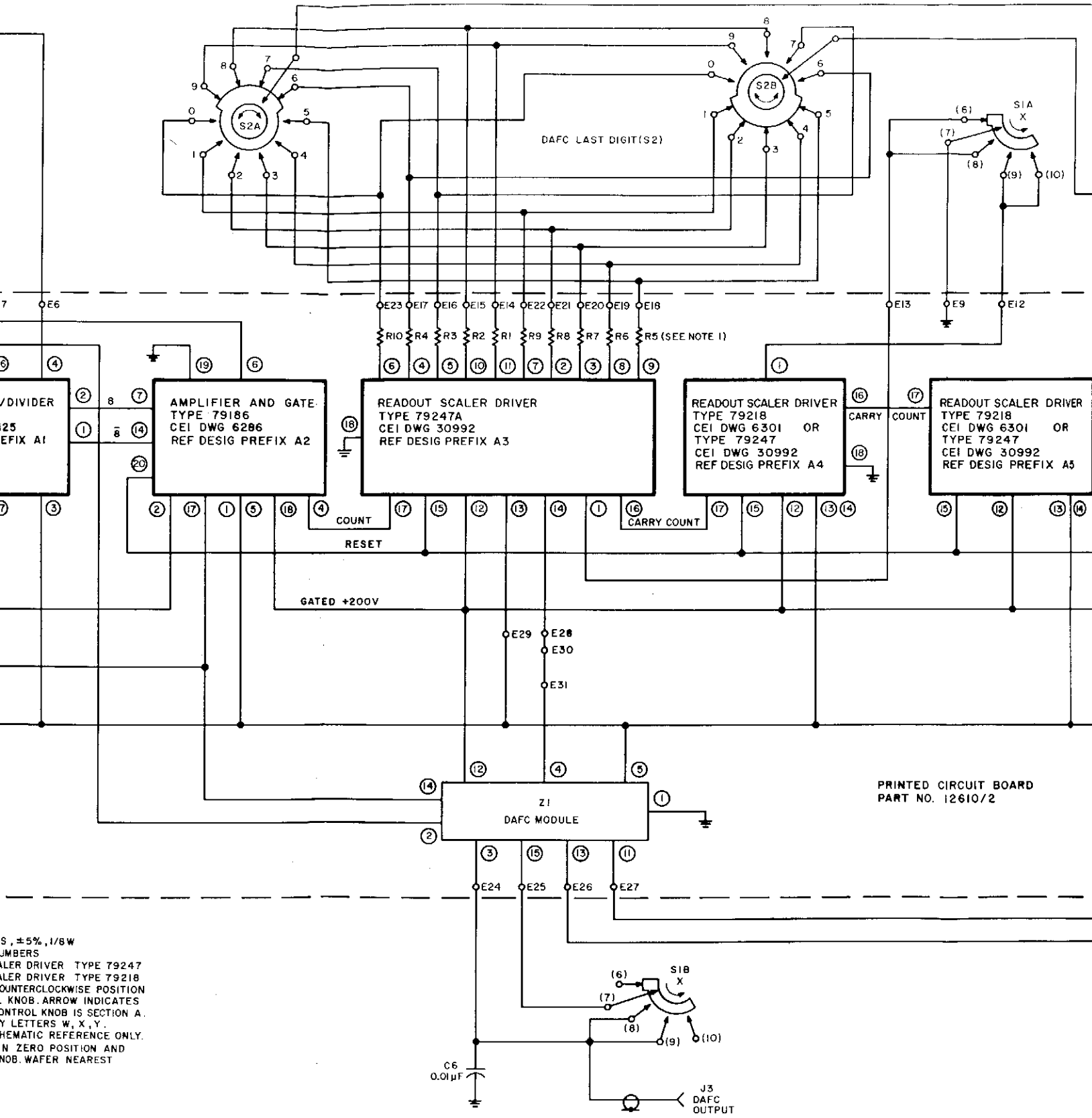
NOTES:

1. RESISTANCE IS MEASURED IN OHMS, ±5%, 1/4W

Figure 6-13. Type 79206 Fine Tuning Regulator, Schematic Diagram



- NOTES:
1. ALL RESISTORS ARE 100K OHMS, ±5%, 1/8W
 2. ENCIRCLED NUMBERS ARE MODULE PIN NUMBERS
 3. TYPE 79189 COUNTER USES READOUT SCALER DRIVER TY
 4. TYPE 79245 COUNTER USES READOUT SCALER DRIVER TY
 5. SWITCH S1 (MODE) IS SHOWN IN EXTREME COUNTERCLOCKWISE AND VIEWED FROM END OPPOSITE CONTROL KNOB. ARROW IN CLOCKWISE ROTATION. WAFER NEAREST CONTROL KNOB IS 5 SEGMENTS OF WAFERS ARE IDENTIFIED BY LETTERS W, X, NUMBERS IN PARENTHESES ARE FOR SCHEMATIC REFERENCE
 6. SWITCH S2 (DAFC LAST DIGIT) IS SHOWN IN ZERO POSITION VIEWED FROM END OPPOSITE CONTROL KNOB. WAFER NEAREST CONTROL KNOB IS SECTION A



S, ±5%, 1/8W
 NUMBERS
 SCALER DRIVER TYPE 79247
 SCALER DRIVER TYPE 79218
 COUNTERCLOCKWISE POSITION
 OF KNOB. ARROW INDICATES
 CONTROL KNOB IS SECTION A.
 BY LETTERS W, X, Y.
 SCHEMATIC REFERENCE ONLY.
 IN ZERO POSITION AND
 KNOB. WAFER NEAREST

Figure 6-14. Typ

REF DESIG PREFIX A11

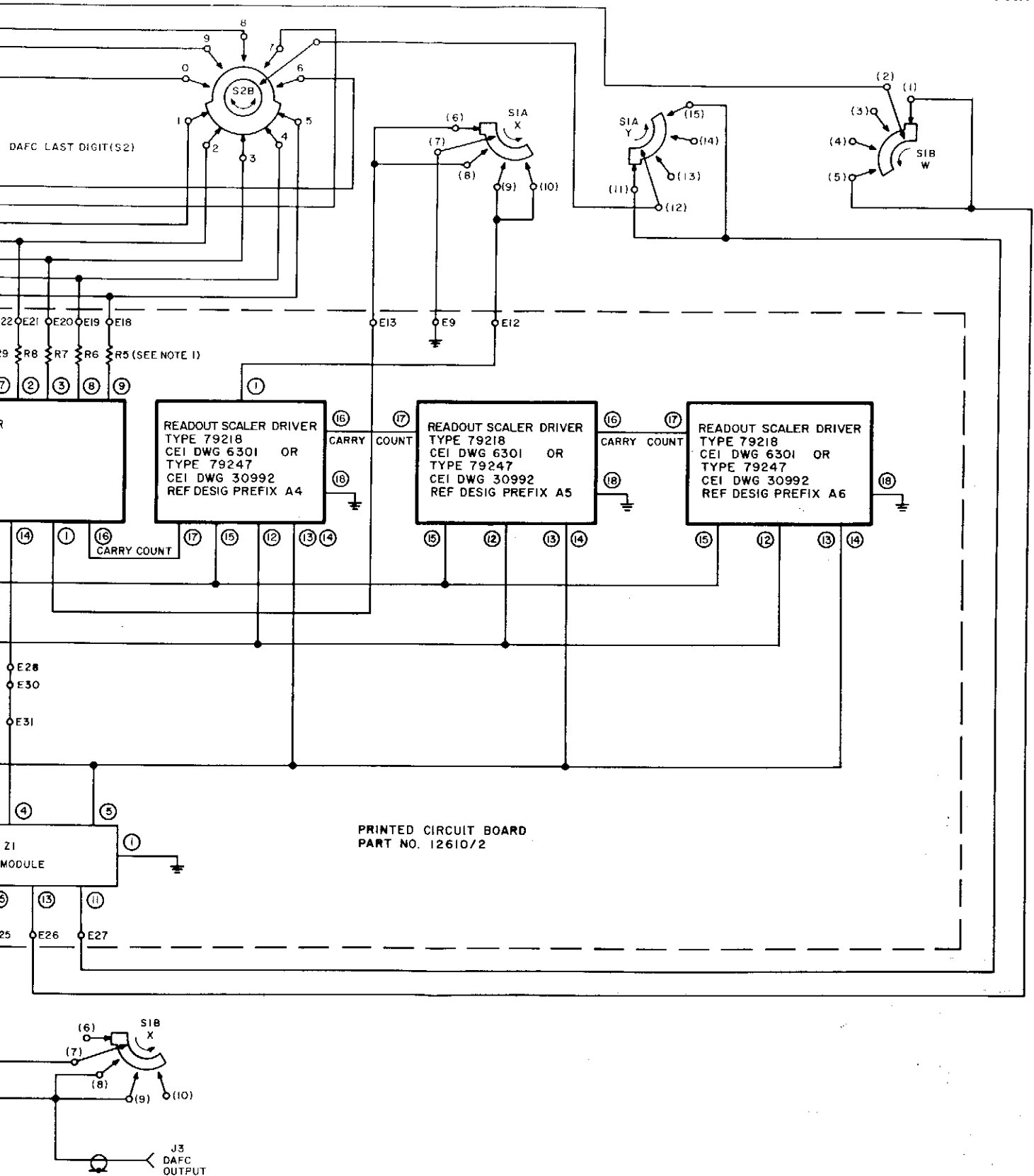
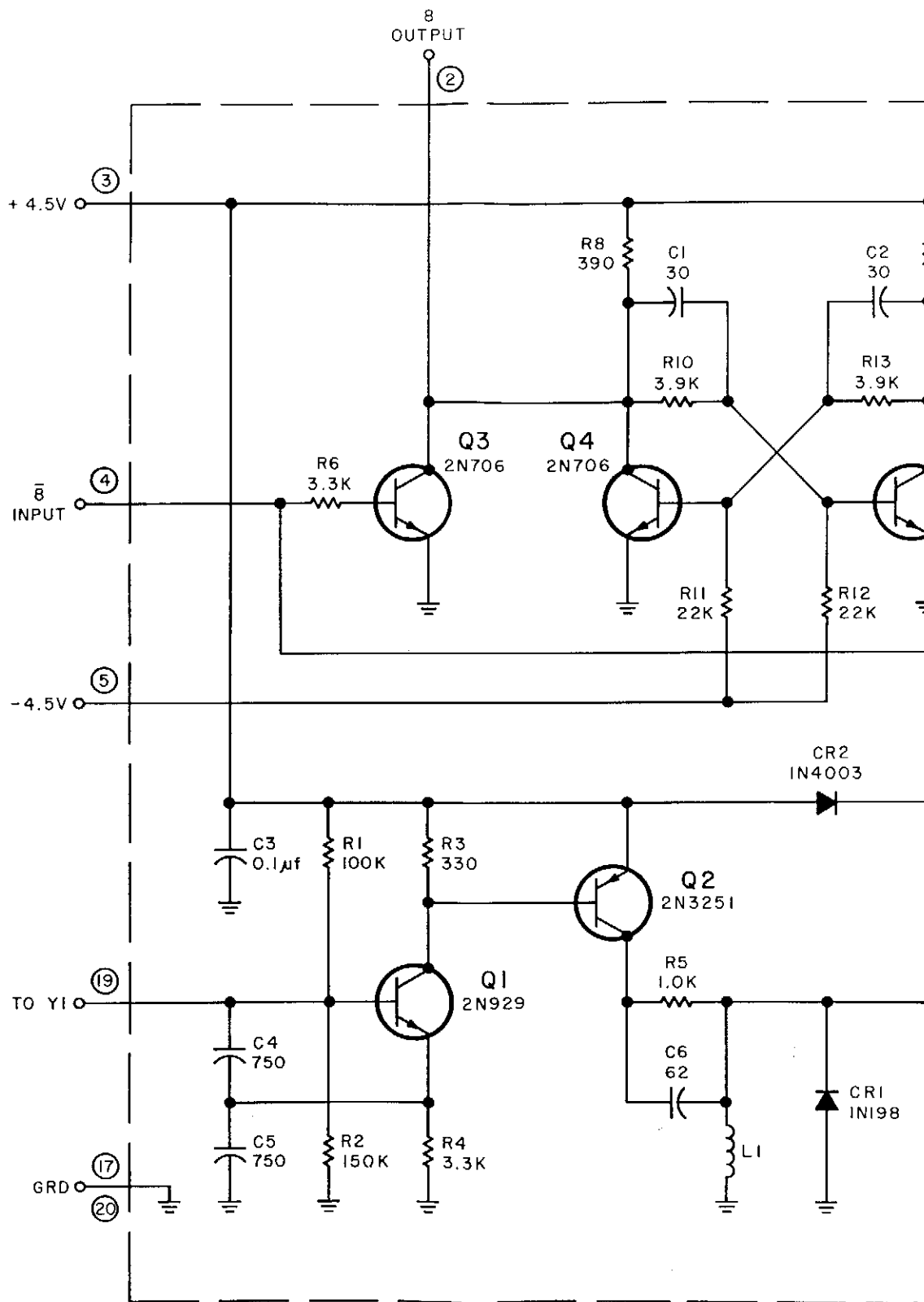
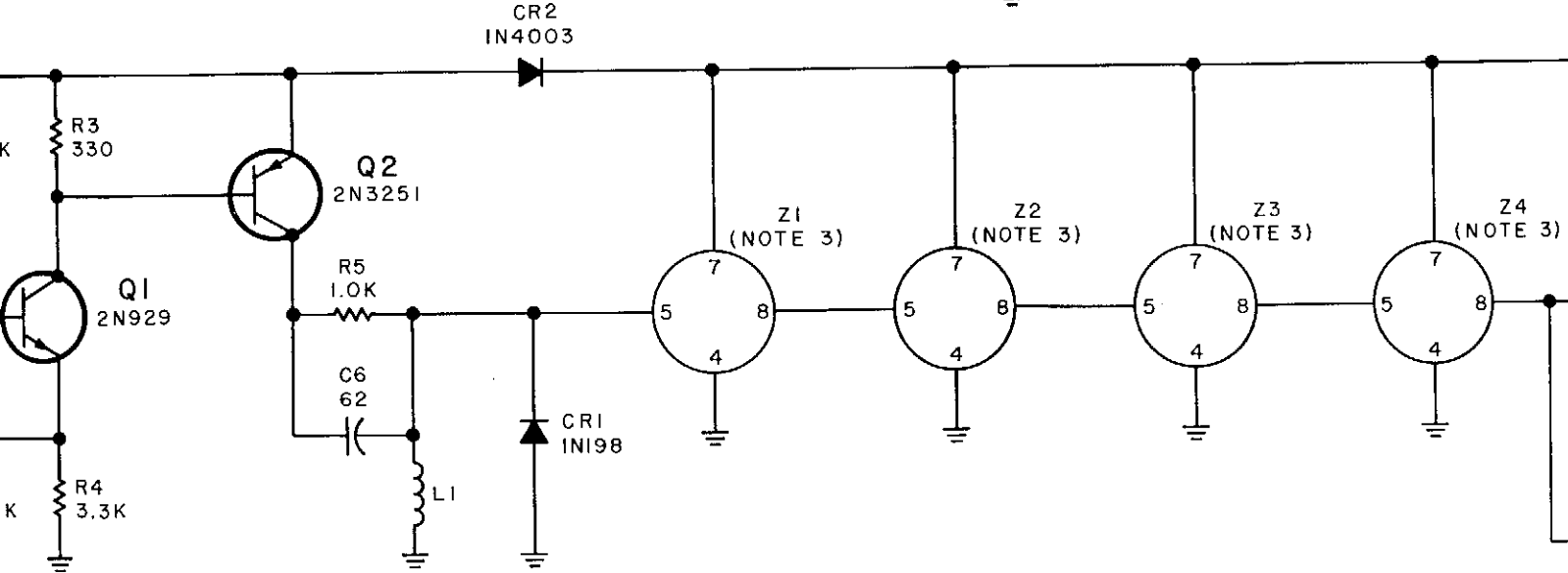
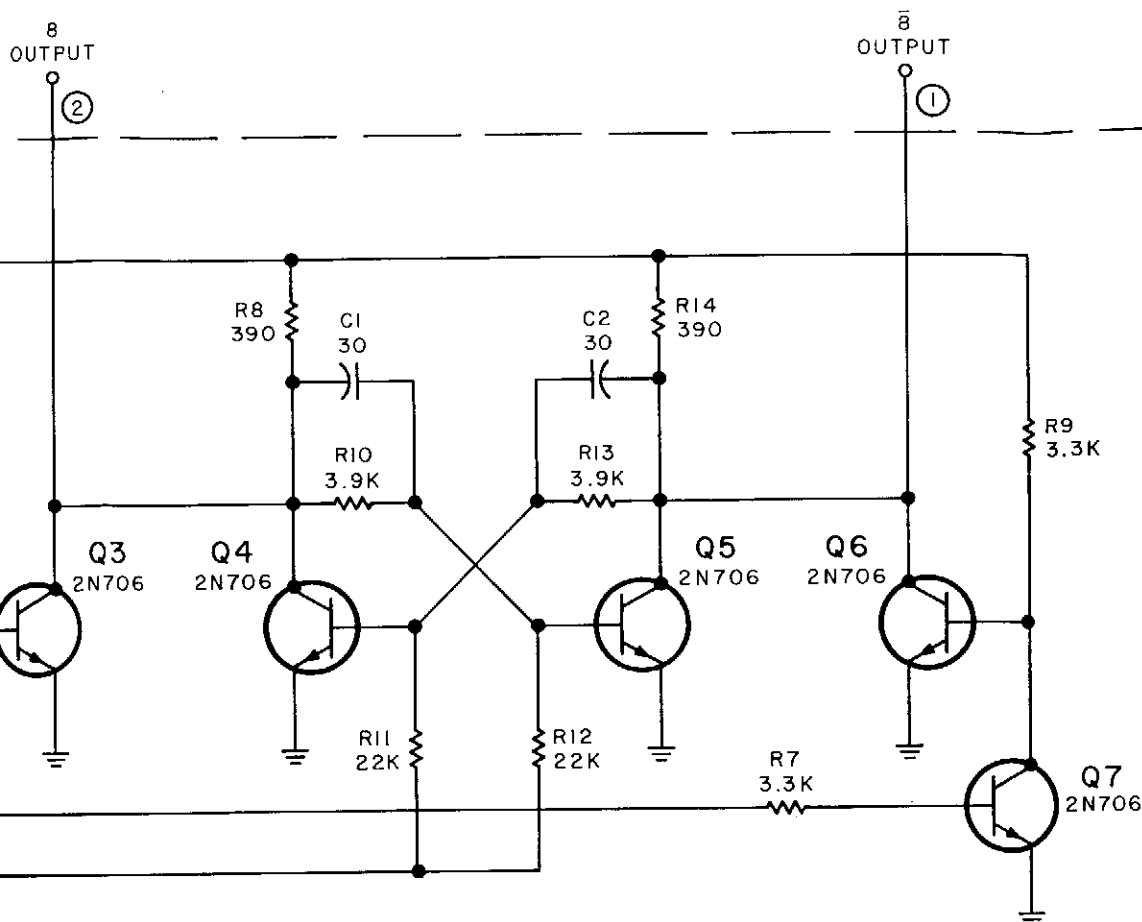
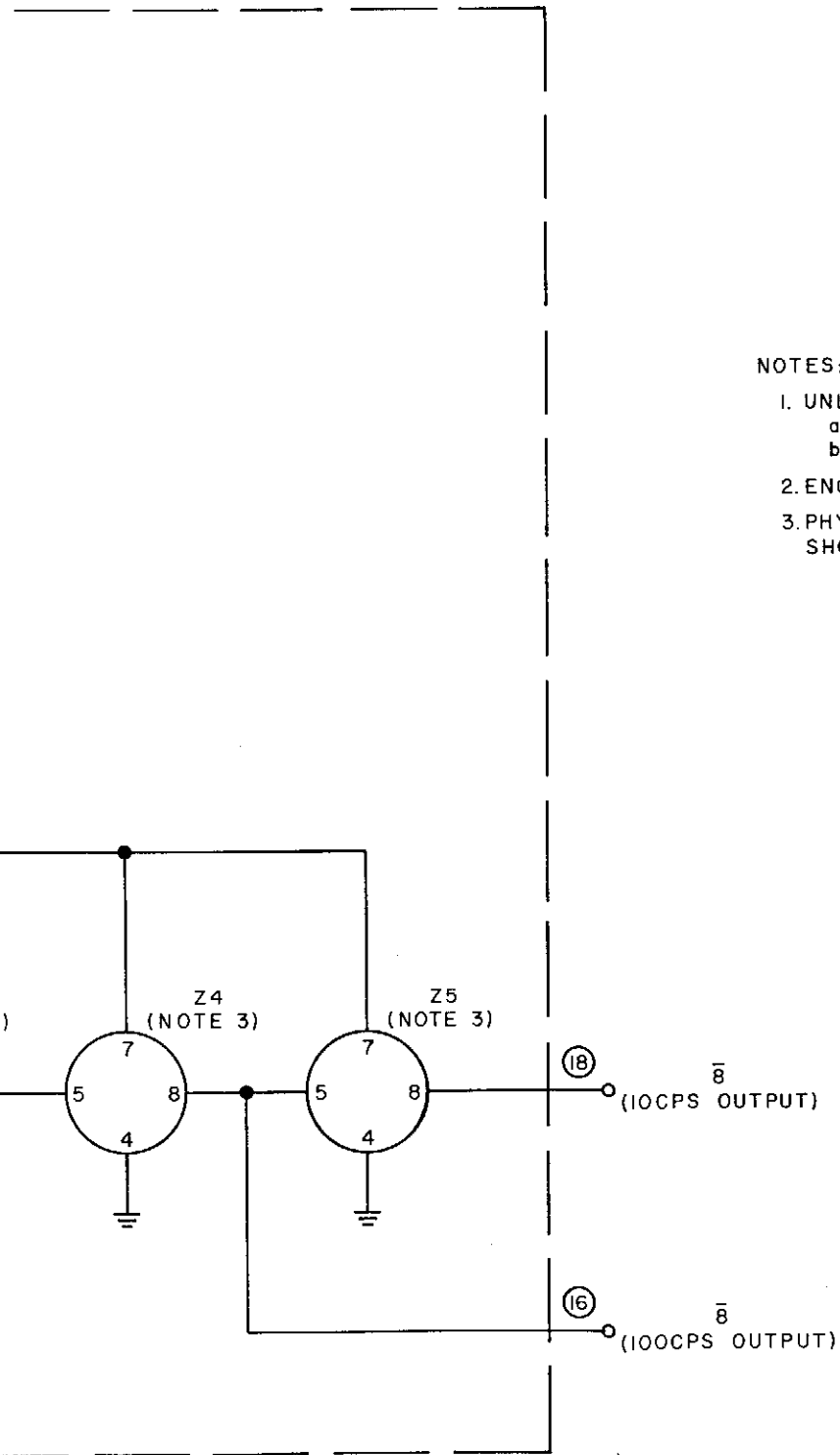


Figure 6-14. Type 79189 VLF Counter Assembly, Schematic Diagram





REF DESIG PREFIX A11A1



NOTES:

1. UNLESS OTHERWISE SPECIFIED:
 - a) RESISTANCE IS MEASURED IN OHMS, ±5%, 1/4W.
 - b) CAPACITANCE IS MEASURED IN pf.
2. ENCIRCLED NUMBERS ARE MODULE PIN NUMBERS.
3. PHYSICAL ARRANGEMENT OF PINS ON Z1-Z5 IS SHOWN BELOW:

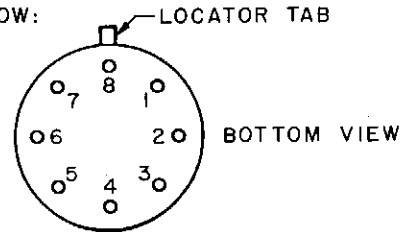
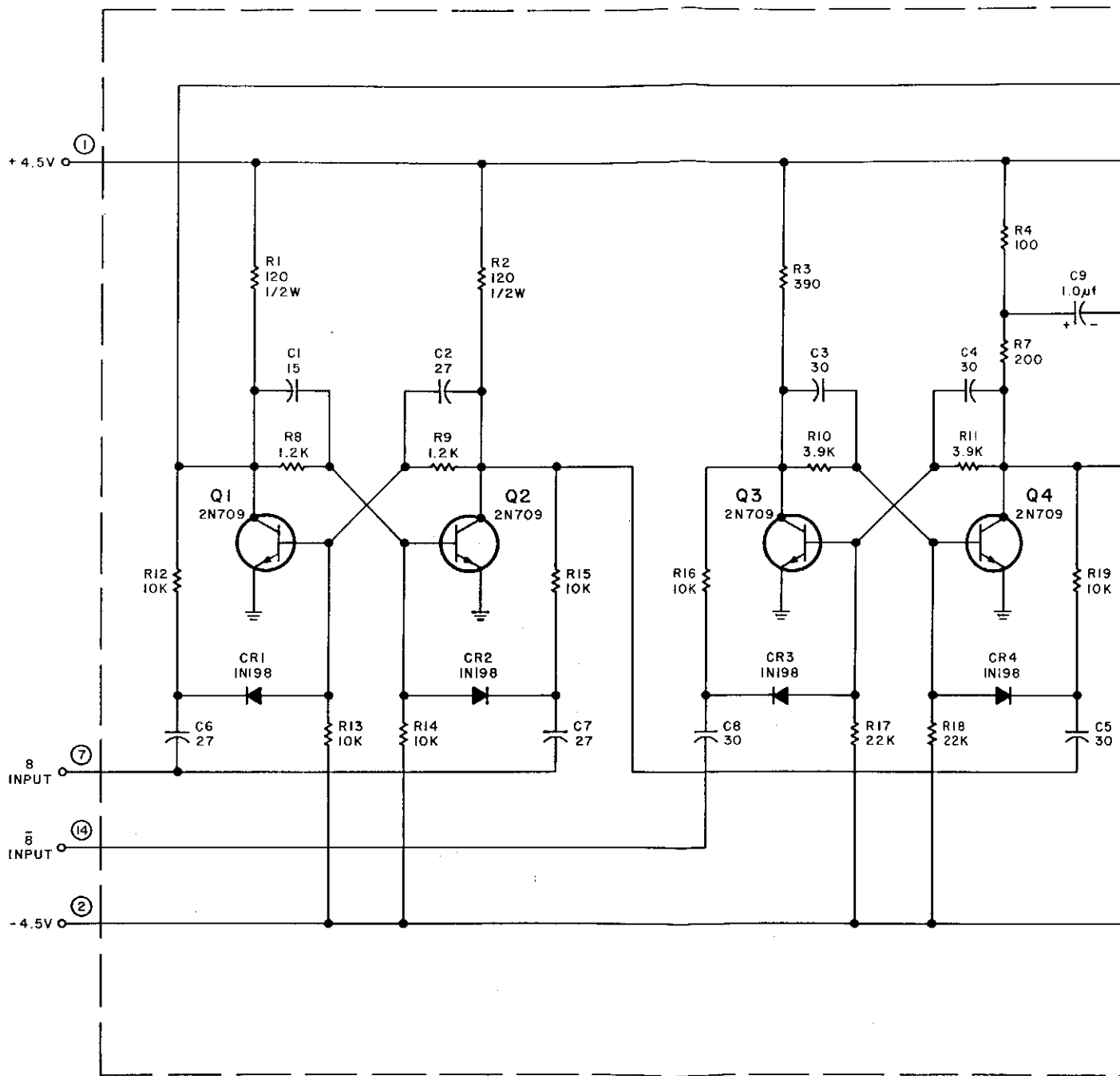
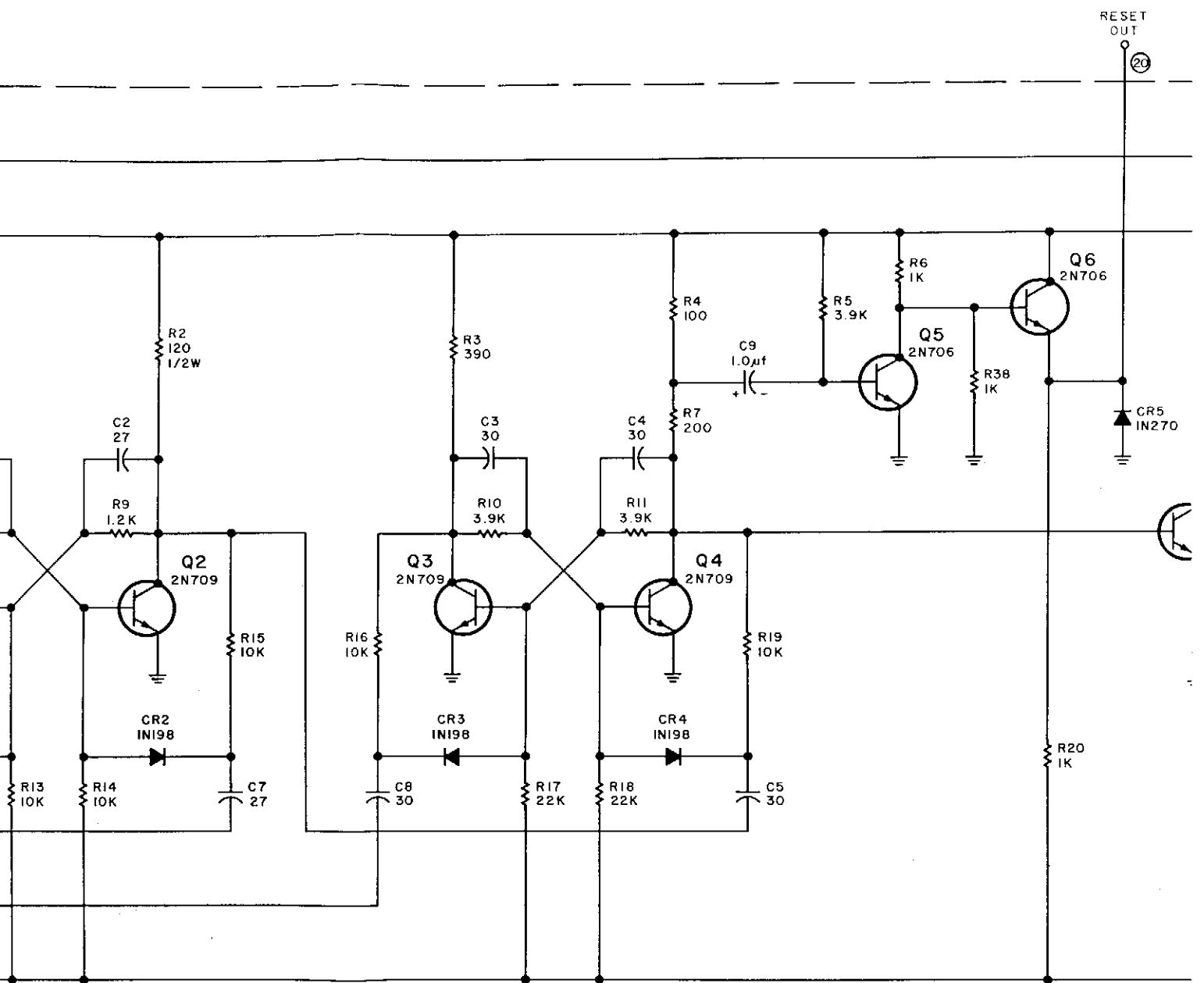
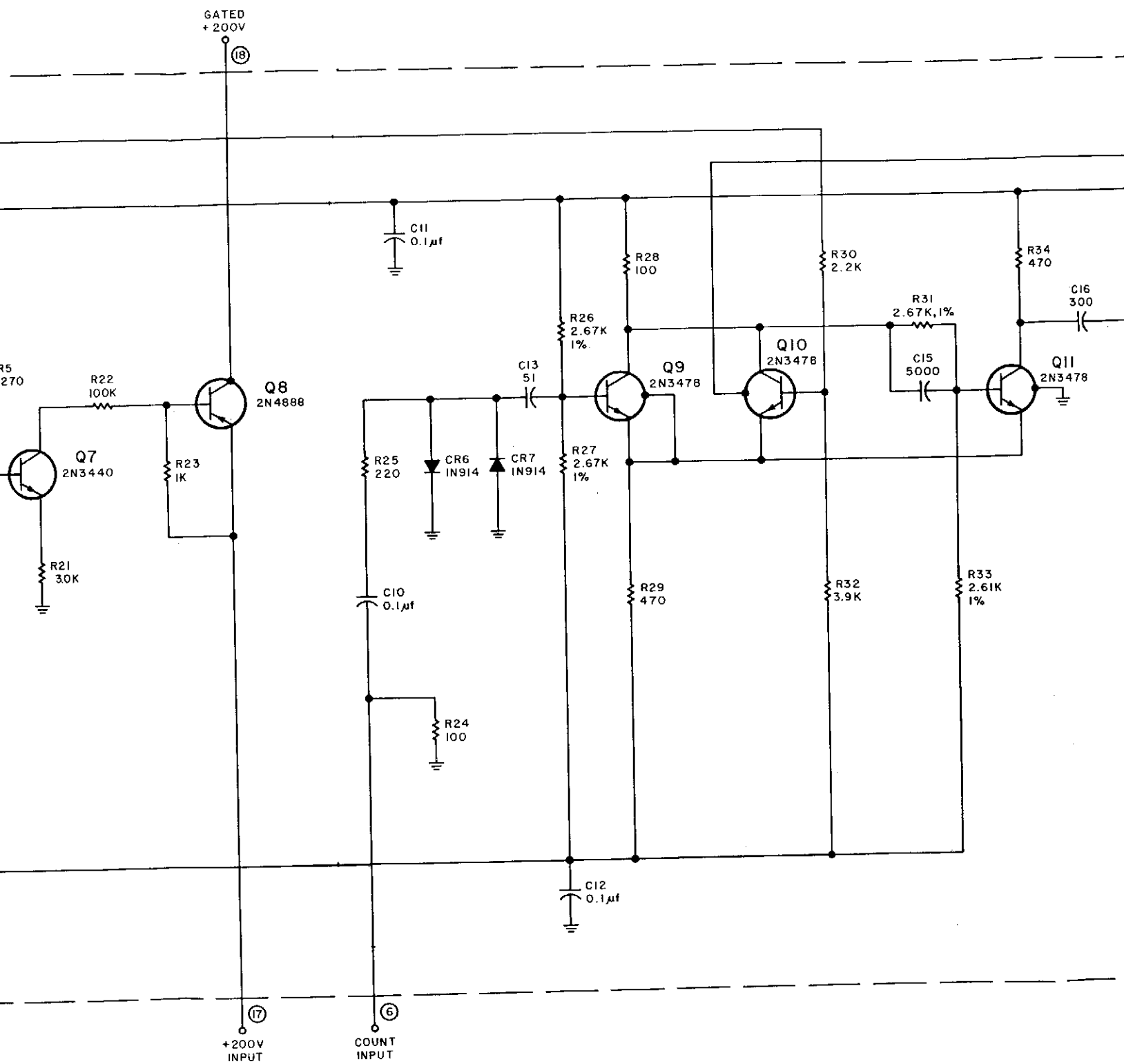


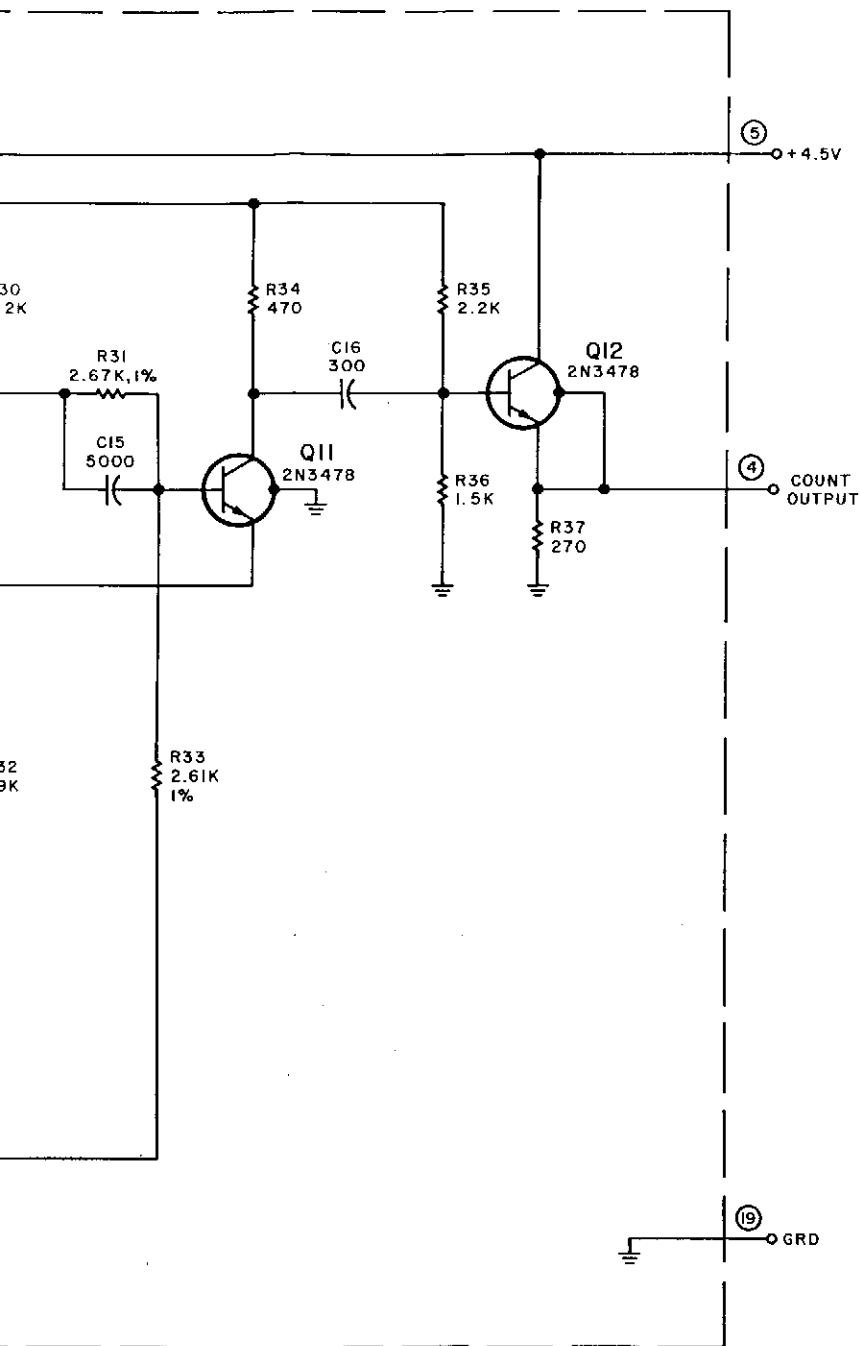
Figure 6-15. Type 79184 Oscillator/Divider, Schematic Diagram







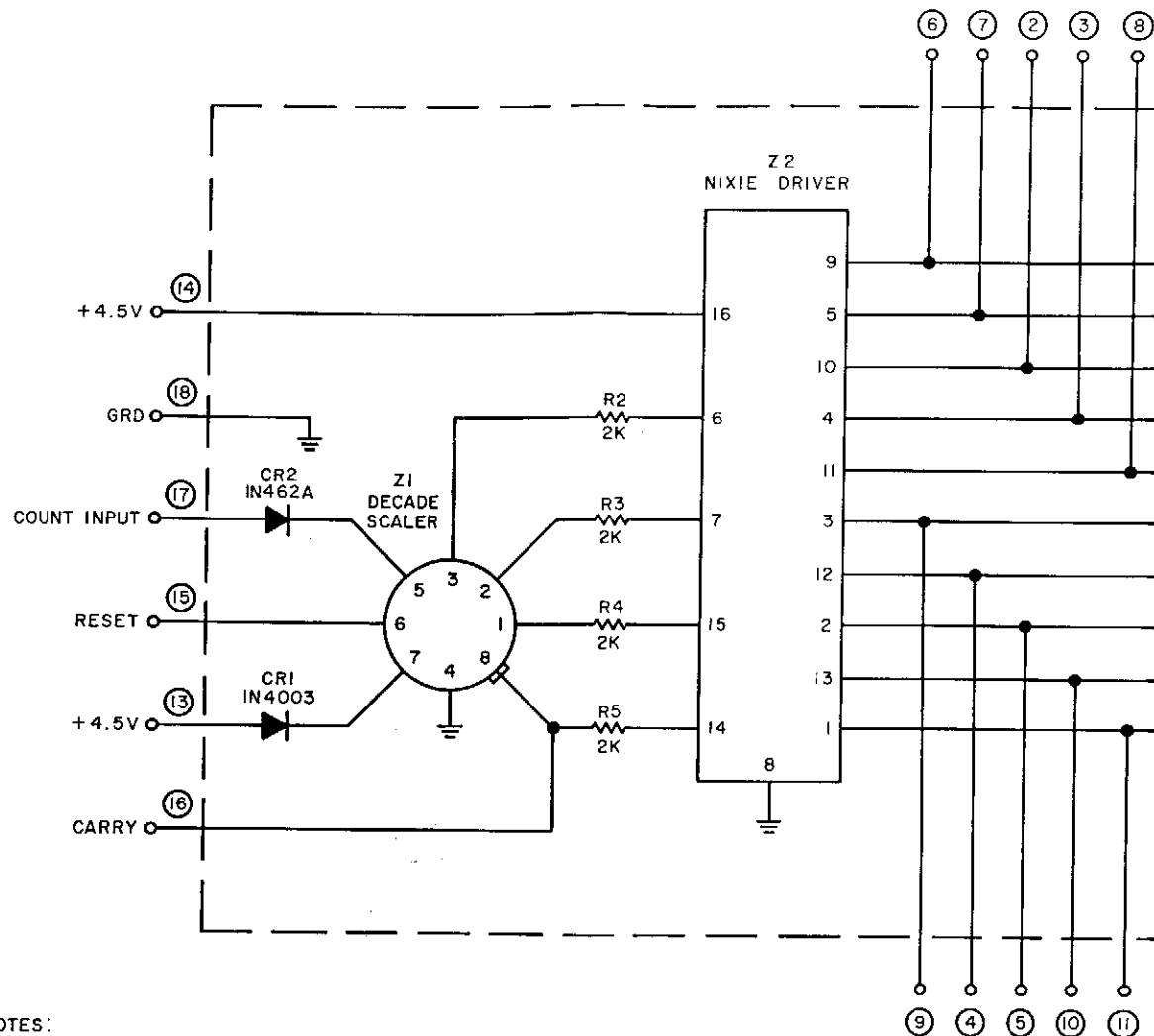
REF DESIG PREFIX A11A2



NOTES:

1. UNLESS OTHERWISE SPECIFIED:
 - a) RESISTANCE IS MEASURED IN OHMS, +5%, 1/4W.
 - b) CAPACITANCE IS MEASURED IN pf.
2. ENCIRCLED NUMBERS ARE MODULE PIN NUMBERS.

Figure 6-16. Type 79186 Amplifier and Gate, Schematic Diagram



NOTES:

1. RESISTANCE IS MEASURED IN OHMS, $\pm 5\%$, 1/4W
2. ENCIRCLED NUMBERS ARE MODULE PIN NUMBERS
3. PHYSICAL ARRANGEMENT OF PINS ON Z1 IS SHOWN BELOW:

4. PHYSICAL ARRANGEMENT OF PINS ON Z2 IS SHOWN BELOW:

LOCATOR SLOT

TOP VIEW

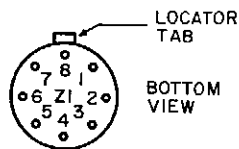
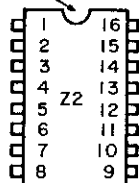


Figure 6-17. Type 79247E

REF DESIG PREFIX A11A3 THROUGH A11A6

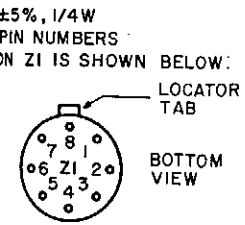
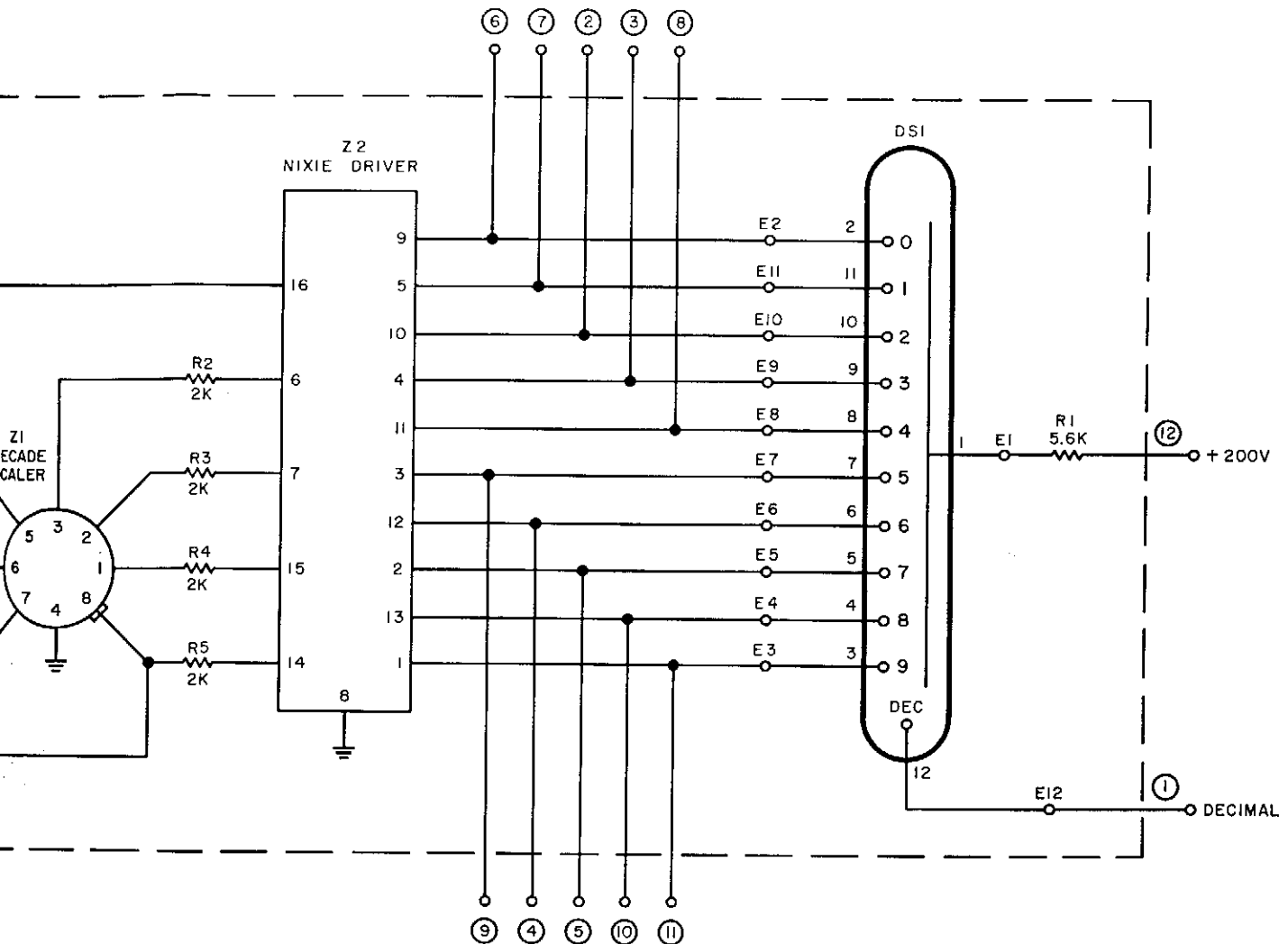
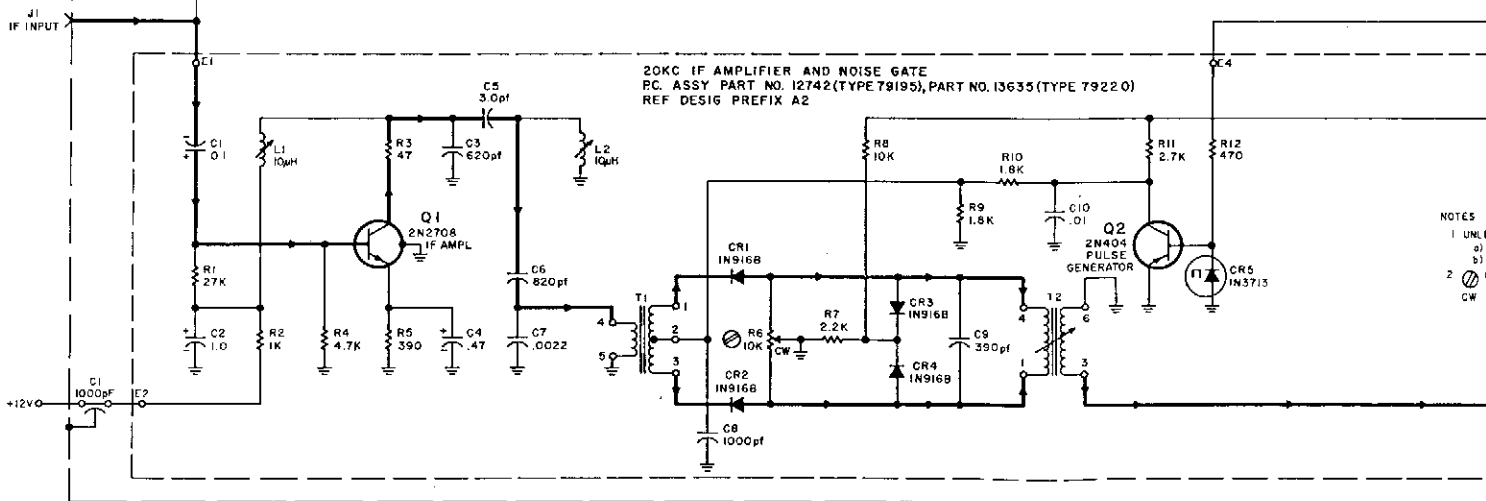
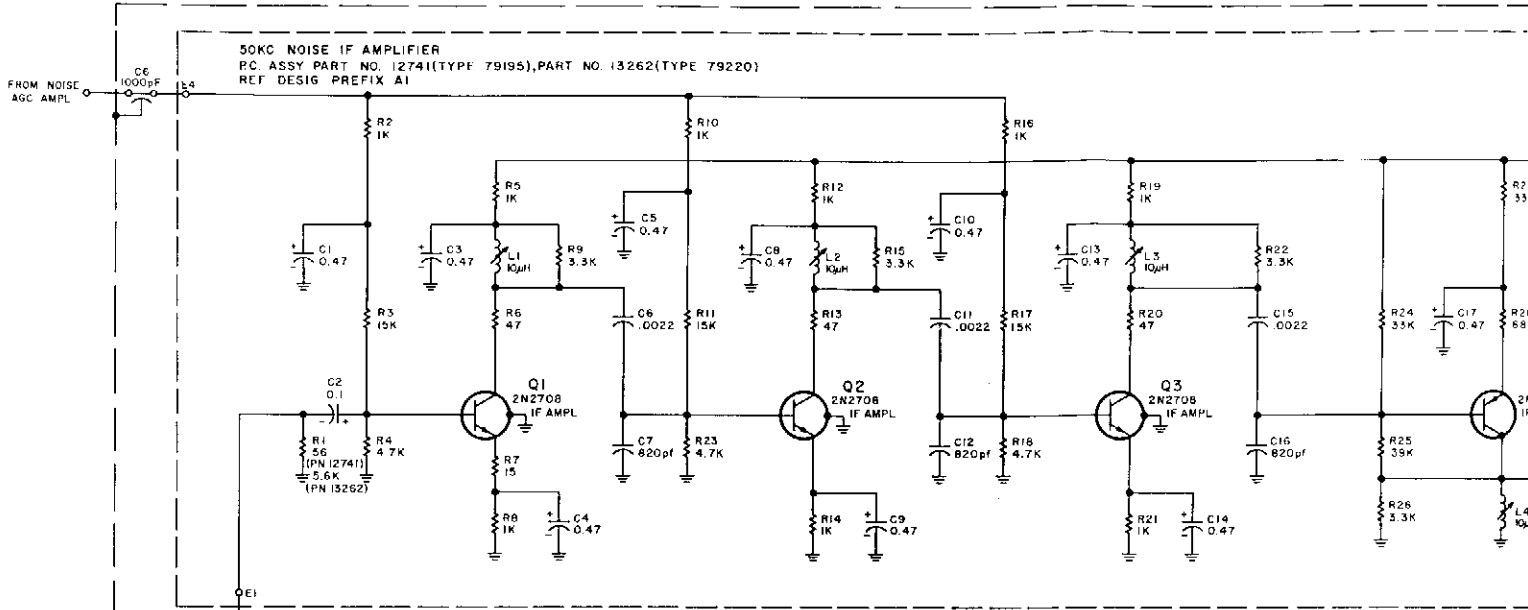
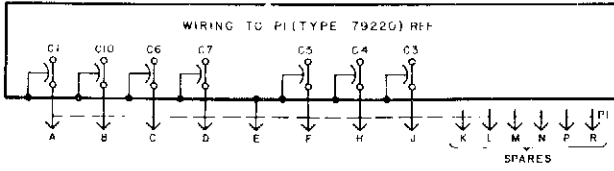
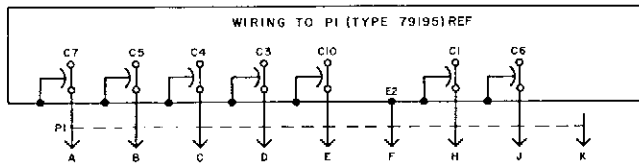


Figure 6-17. Type 79247 Readout Scaler and Nixie Driver, Schematic Diagram



NOTES
1 UNL
2 CW



REF DESIG PREFIX A12

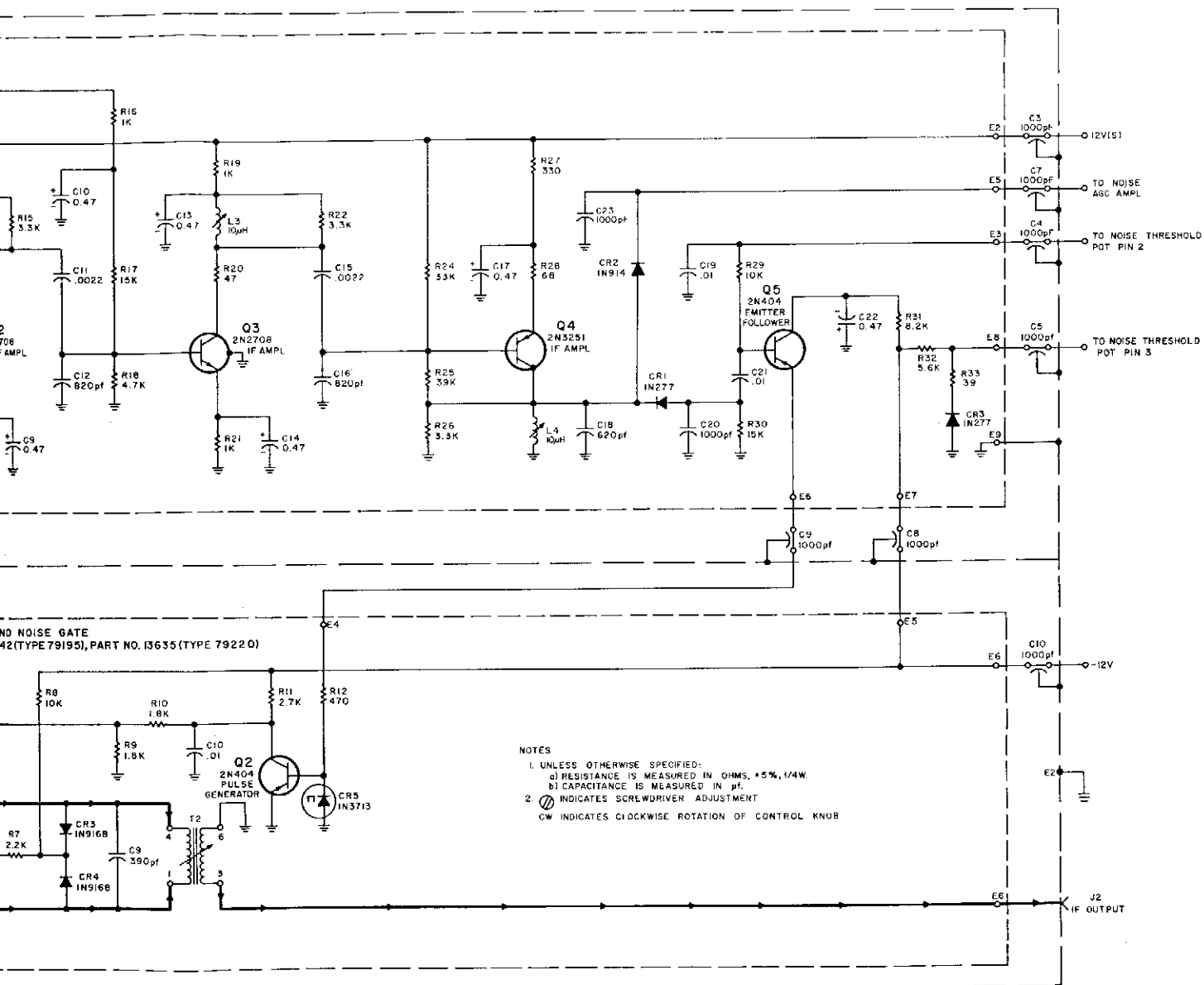
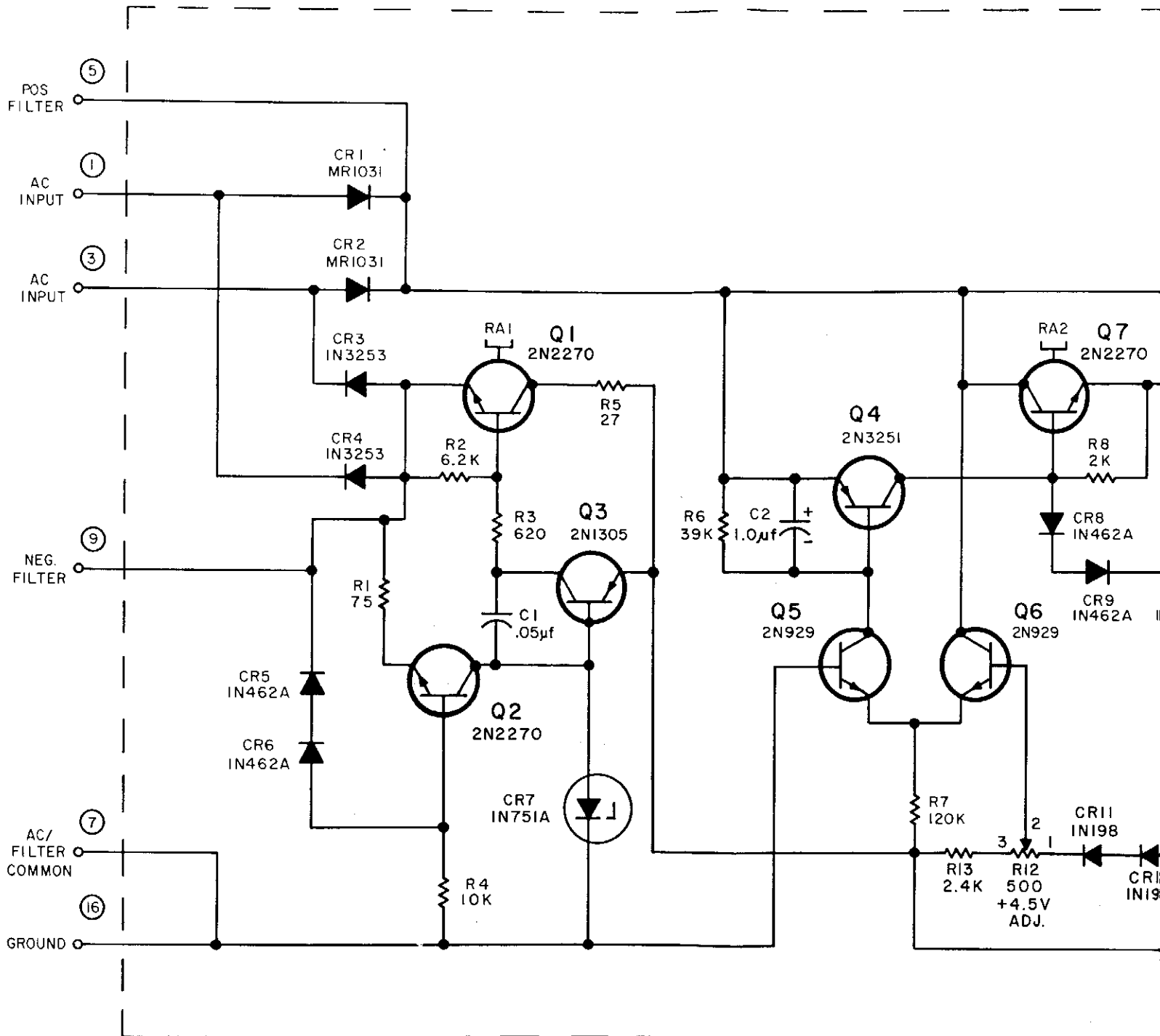


Figure 6-18. Type 79220 Noise IF Amplifier and Noise Gate, Schematic Diagram

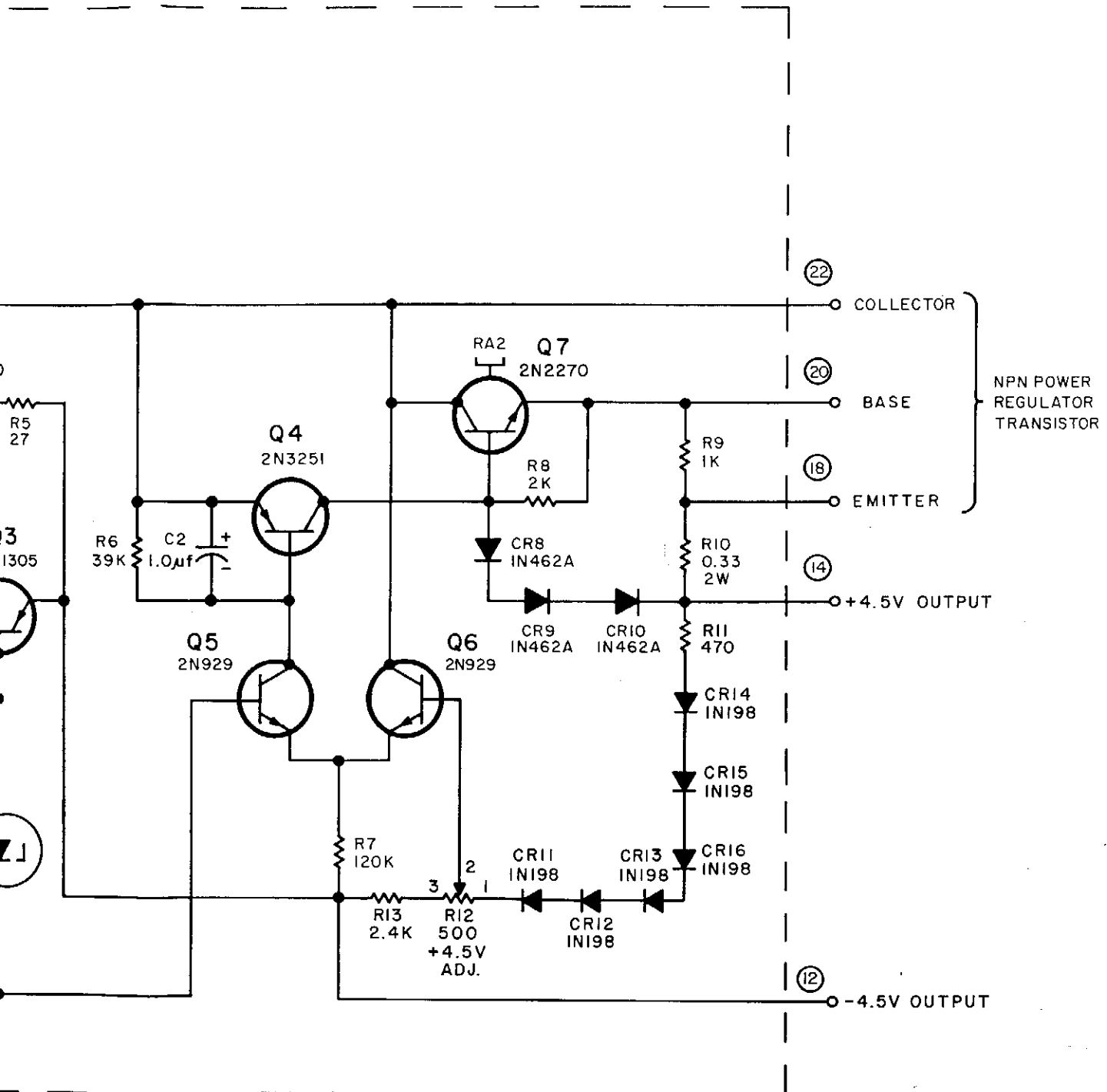


NOTES:

1. UNLESS OTHERWISE SPECIFIED:
 - A. RESISTANCE IS MEASURED IN OHMS, 1/4W, 5%.
2. ENCIRCLED NUMBERS ARE MODULE PIN NUMBERS.

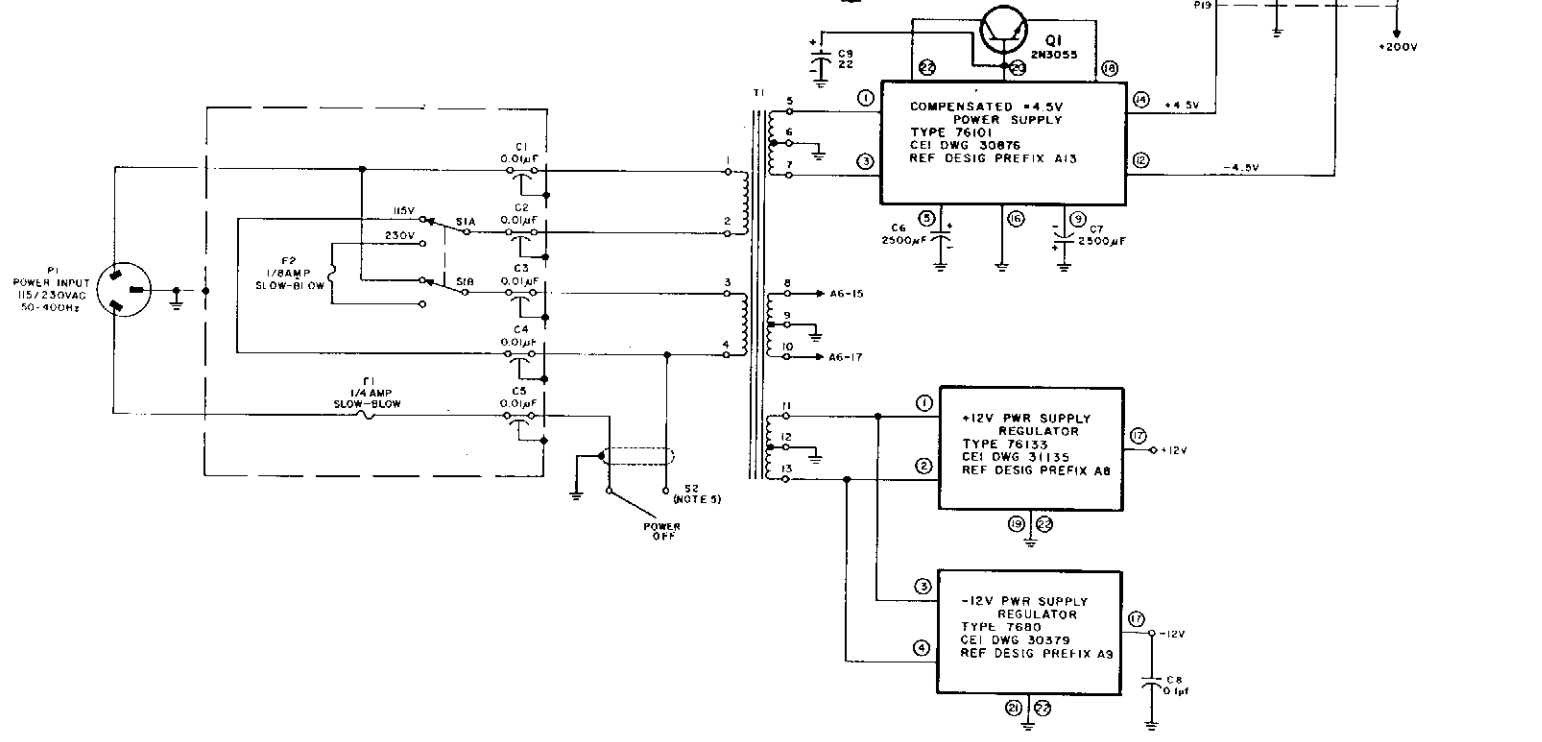
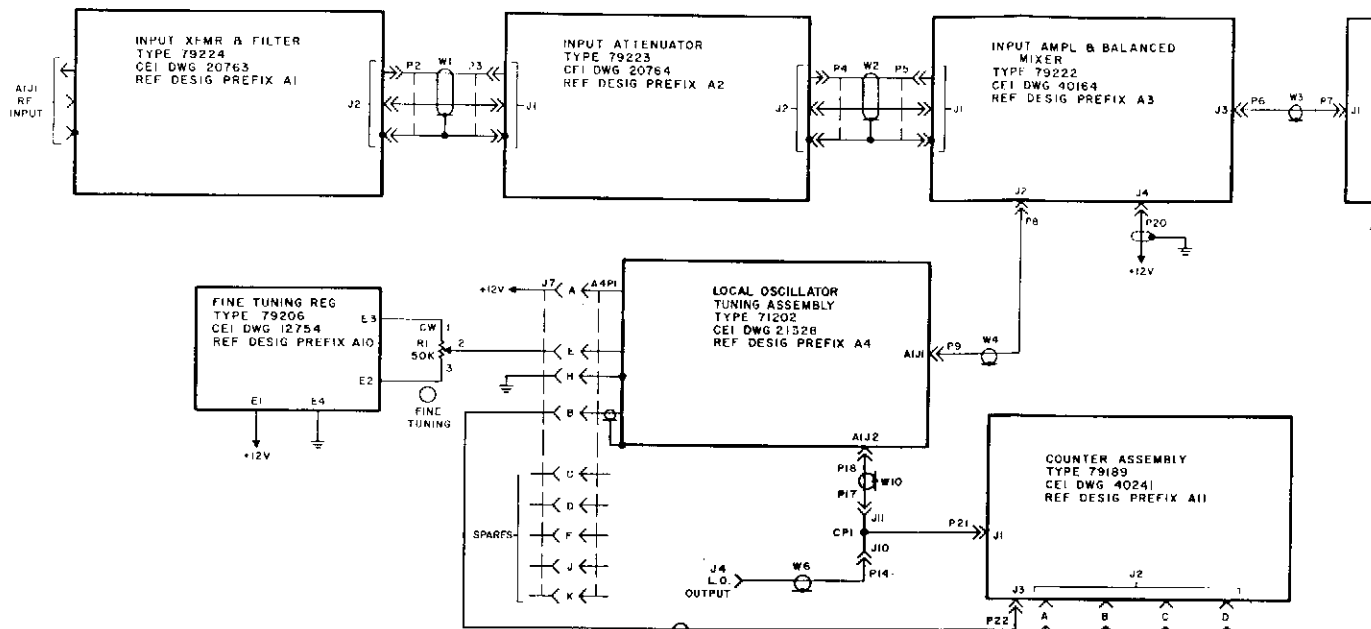
Figure 6-19. Type 76101

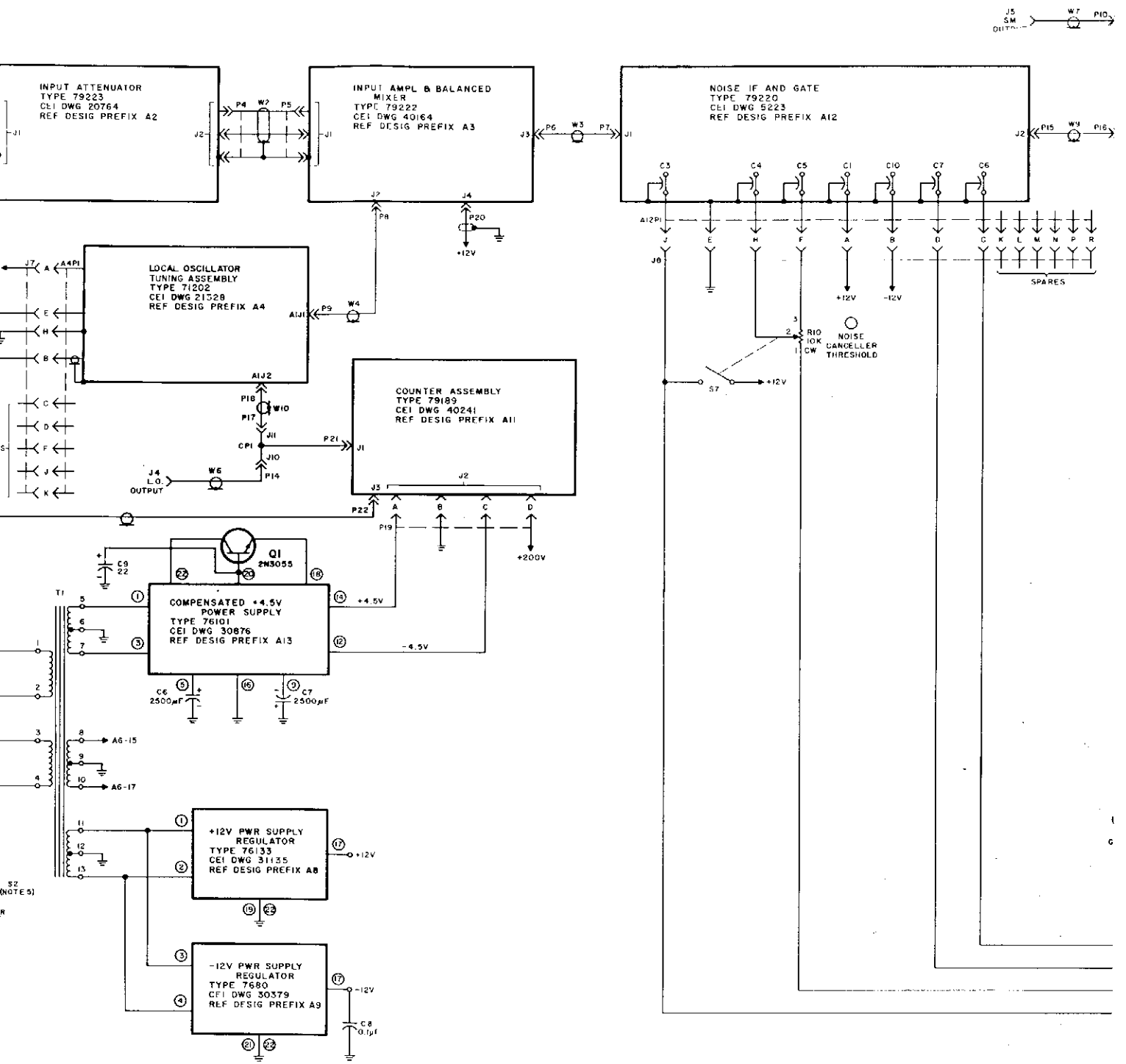
REF DESIG PREFIX A13

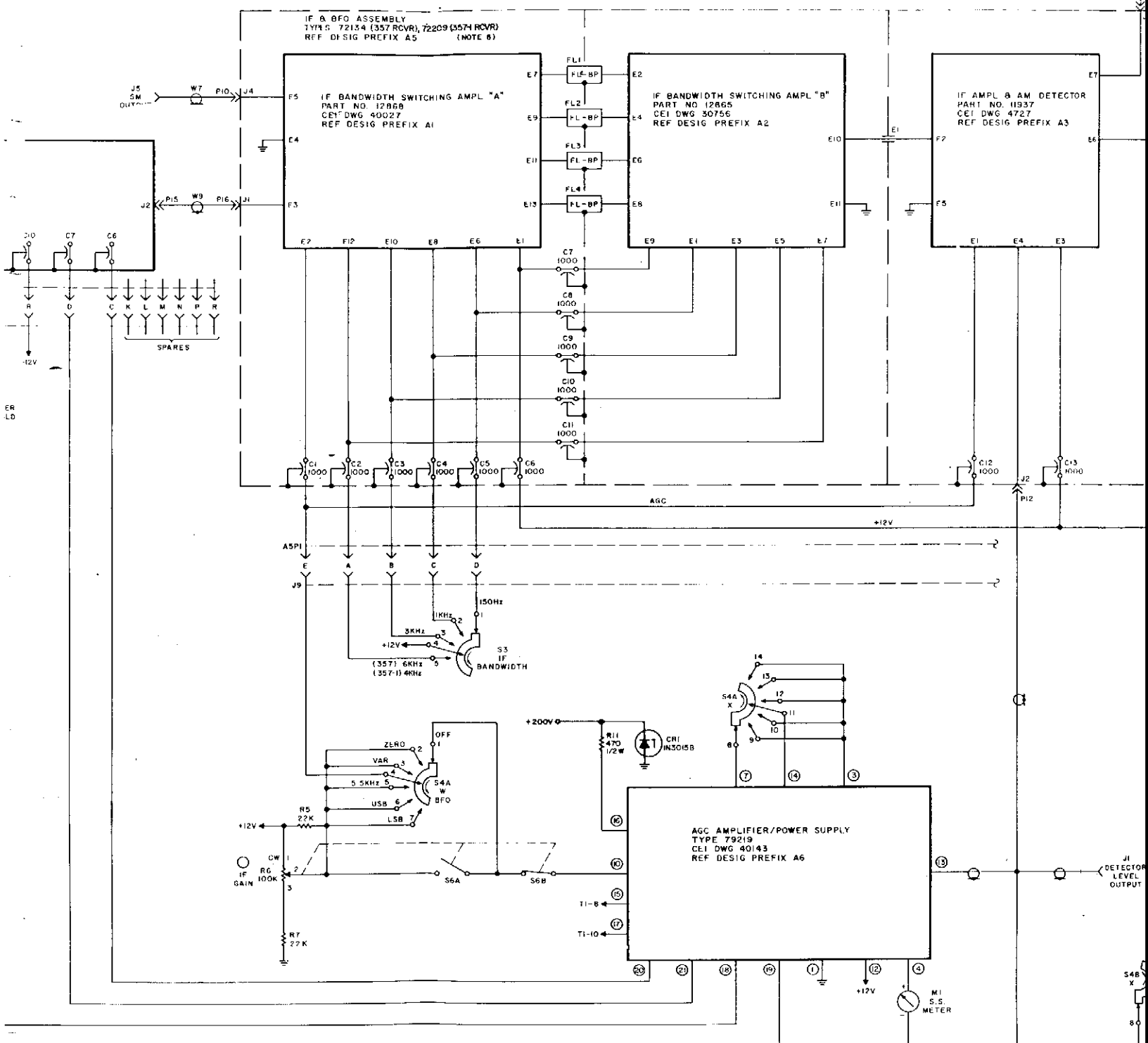


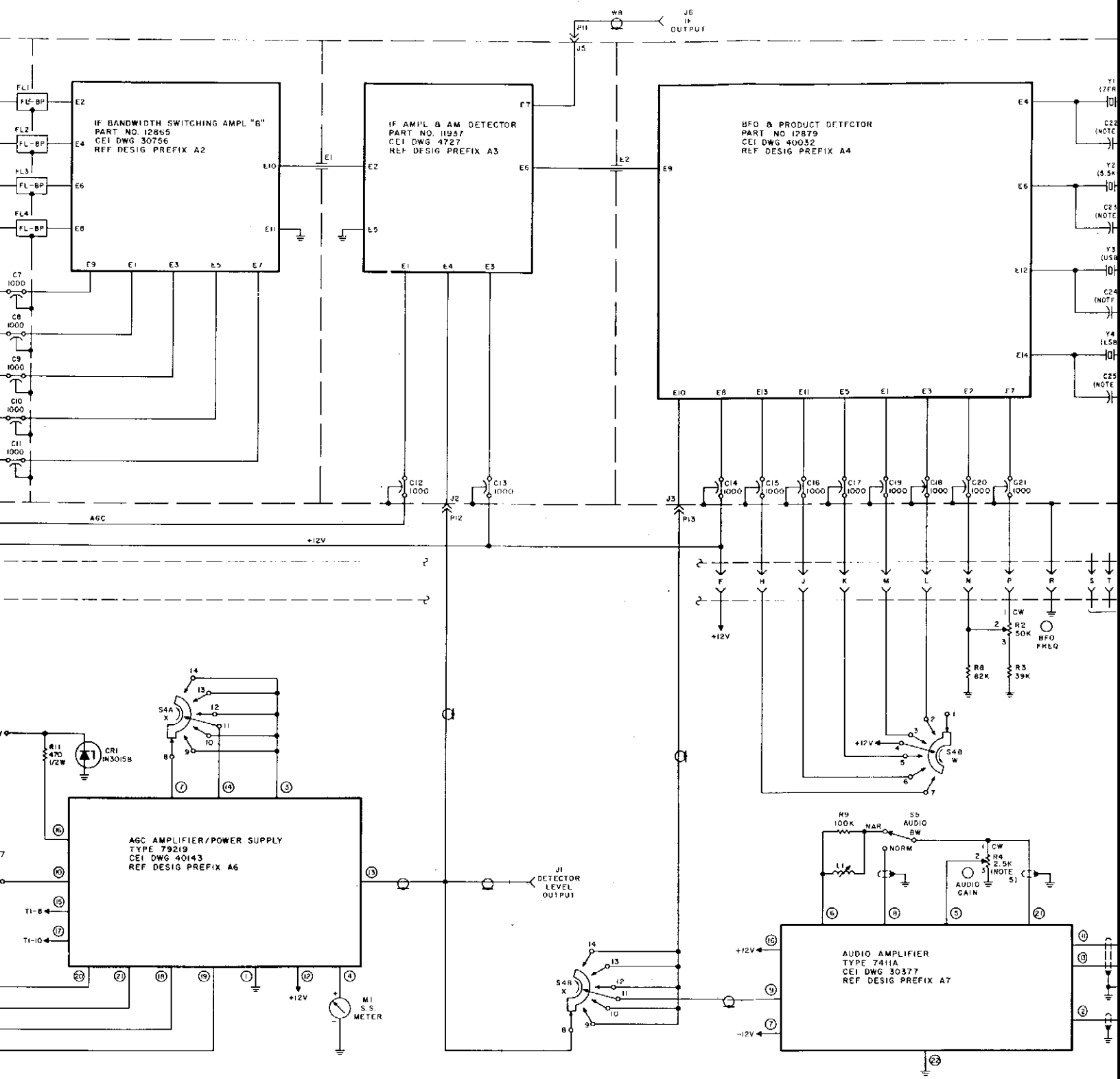
ES:
 UNLESS OTHERWISE SPECIFIED:
 A. RESISTANCE IS MEASURED IN OHMS, 1/4W, 5%.
 ENCIRCLED NUMBERS ARE MODULE PIN NUMBERS.

Figure 6-19. Type 76101 ±4.5V Compensated Power Supply, Schematic Diagram









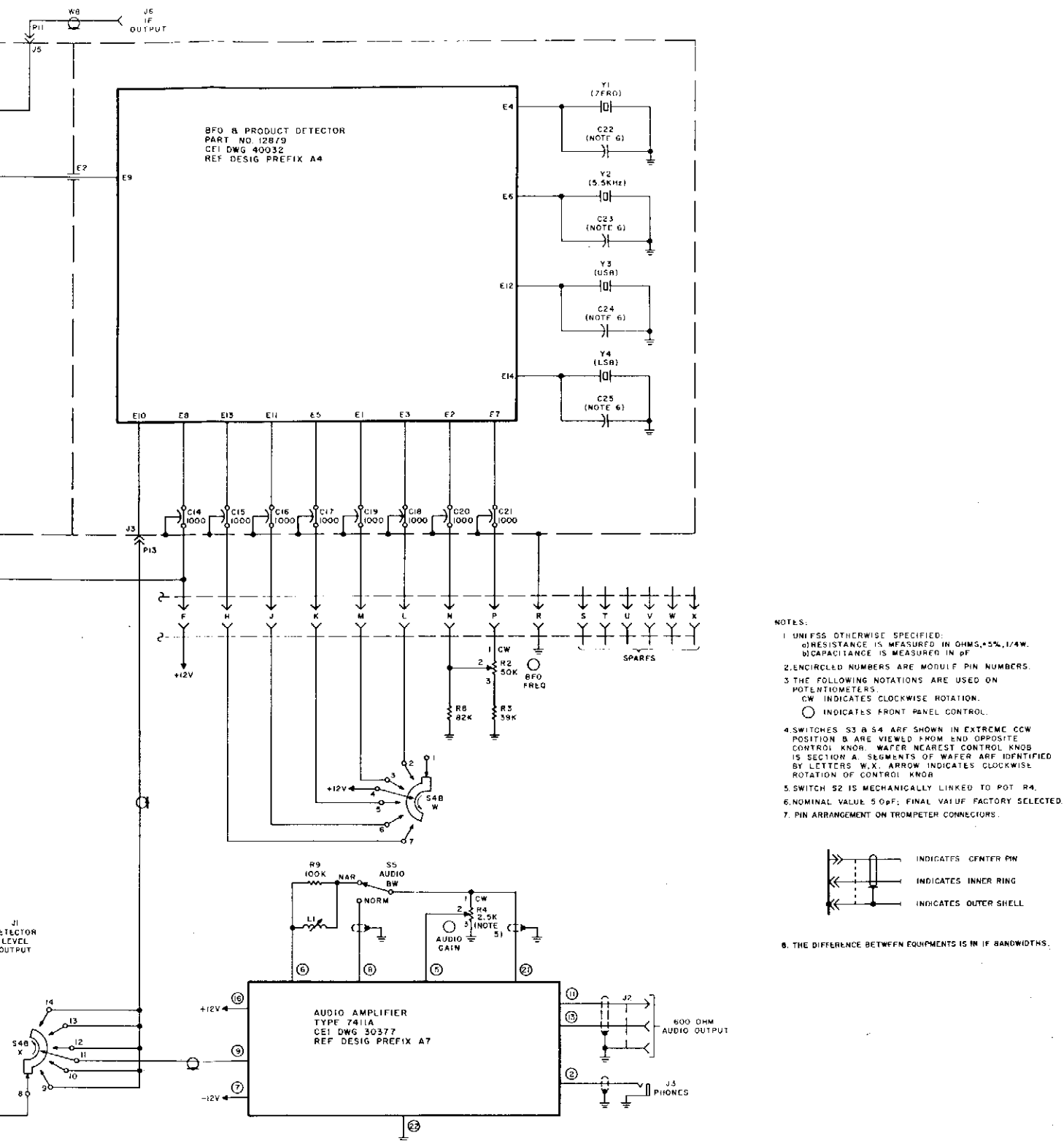


Figure 6-20. Type 357 VLF Receiver, Main Chassis Schematic Diagram